

# JVC

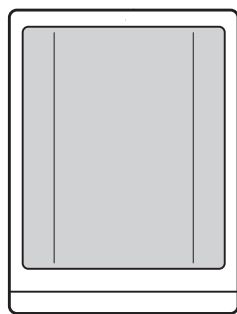
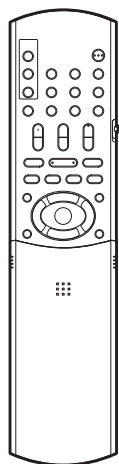
## SERVICE MANUAL

### COMPACT COMPONENT SYSTEM

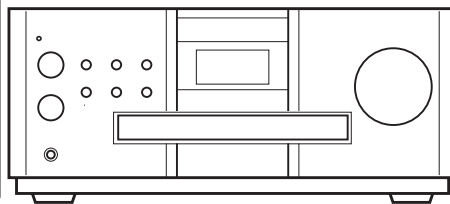
## EX-P1

Area suffix

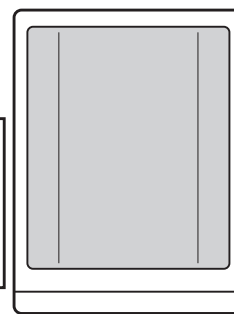
E ----- Continental Europe



(SP-EXP1)



(CA-EXP1)



(SP-EXP1)



### TABLE OF CONTENTS

1	PRECAUTION.....	1-3
2	SPECIFIC SERVICE INSTRUCTIONS.....	1-3
3	DISASSEMBLY.....	1-3
4	ADJUSTMENT.....	1-3
5	TROUBLESHOOTING.....	1-3

## SPECIFICATION

General	Power source		AC 230 V 50 Hz
	Power consumption		24 W (in operation) 1.1 W (on standby)
	Weight		3.0 kg
	External dimensions (W × H × D)		232 mm × 100 mm × 269 mm
DVD player	Playable discs		DVD VIDEO, DVD AUDIO, VCD, Super VCD, CD, CD-R/RW (CD, VCD, MP3, JPEG format), DVD-R/ RW (video format)
Video output	Color system		PAL
	Horizontal resolution		500 lines
	SCART connector × 1		
Audio output	Analog sound output	Speakers × 2	60 W (30W + 30W) at 4 Ω(10% THD)
		Output power (IEC 268-3)	Fitting impedance: 4 Ω to 16 Ω
		Headphones × 1	11 mW/32 Ω Fitting impedance: 16 Ω to 1 kΩ
		Subwoofer × 1	500 mVrms/10 kΩ
	Digital sound output	Optical × 1	-21 dBm to -15 dBm
Other output			AV COMPU LINK × 2 (Ø3.5)
Audio input	Sound input		AUX × 1
	Level 1		250 mV/50 kΩ
	Level 2		500 mV/50 kΩ
Tuner	FM tuner	Receiving frequency	87.5 MHz to 108.0 MHz
		Antenna	75Ω- unbalanced type
	AM tuner	Receiving frequency	522 kHz to 1629 kHz
		Antenna	External antenna jack (loop antenna)
Speaker	Type		1-way bass-reflex type Magnetically shielded type
	Speaker		8cm cone × 1
	Power handling capacity		30 W
	Impedance		4Ω
	Sound pressure level		82 dB/W m
	Dimension (W × H × D)		120 mm × 161 mm × 239 mm
	Weight (1 unit)		1.9 kg

Designs and Specifications are subject to change without notice.

**SECTION 1  
PRECAUTION**

Please refer to "EX-A1 (No.MB349)" about this section.

**SECTION 2  
SPECIFIC SERVICE INSTRUCTIONS**

Please refer to "EX-A1 (No.MB349)" about this section.

**SECTION 3  
DISASSEMBLY**

Please refer to "EX-A1 (No.MB349)" about this section.

**SECTION 4  
ADJUSTMENT**

Please refer to "EX-A1 (No.MB349)" about this section.

**SECTION 5  
TROUBLESHOOTING**

Please refer to "EX-A1 (No.MB349)" about this section.



**JVC**

Victor Company of Japan, Limited

AV & MULTIMEDIA COMPANY AUDIO/VIDEO SYSTEMS CATEGORY 10-1,1chome,Ohwatari-machi,Maebashi-city,371-8543,Japan

(No.MB373)



Printed in Japan  
VPT

# JVC

# SCHEMATIC DIAGRAMS

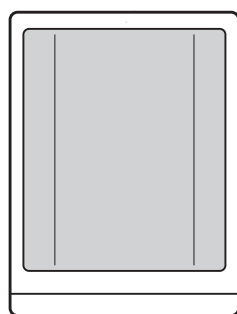
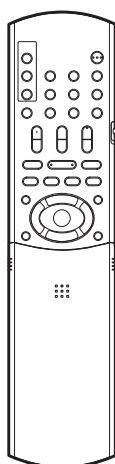
## COMPACT COMPONENT SYSTEM

### EX-P1

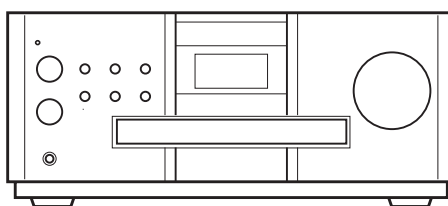
CD-ROM No.SML200504

**Area suffix**

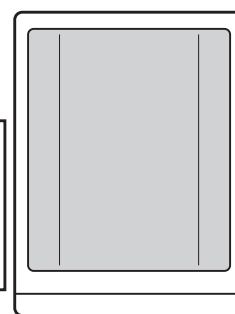
E ----- Continental Europe



(SP-EXP1)



(CA-EXP1)



(SP-EXP1)

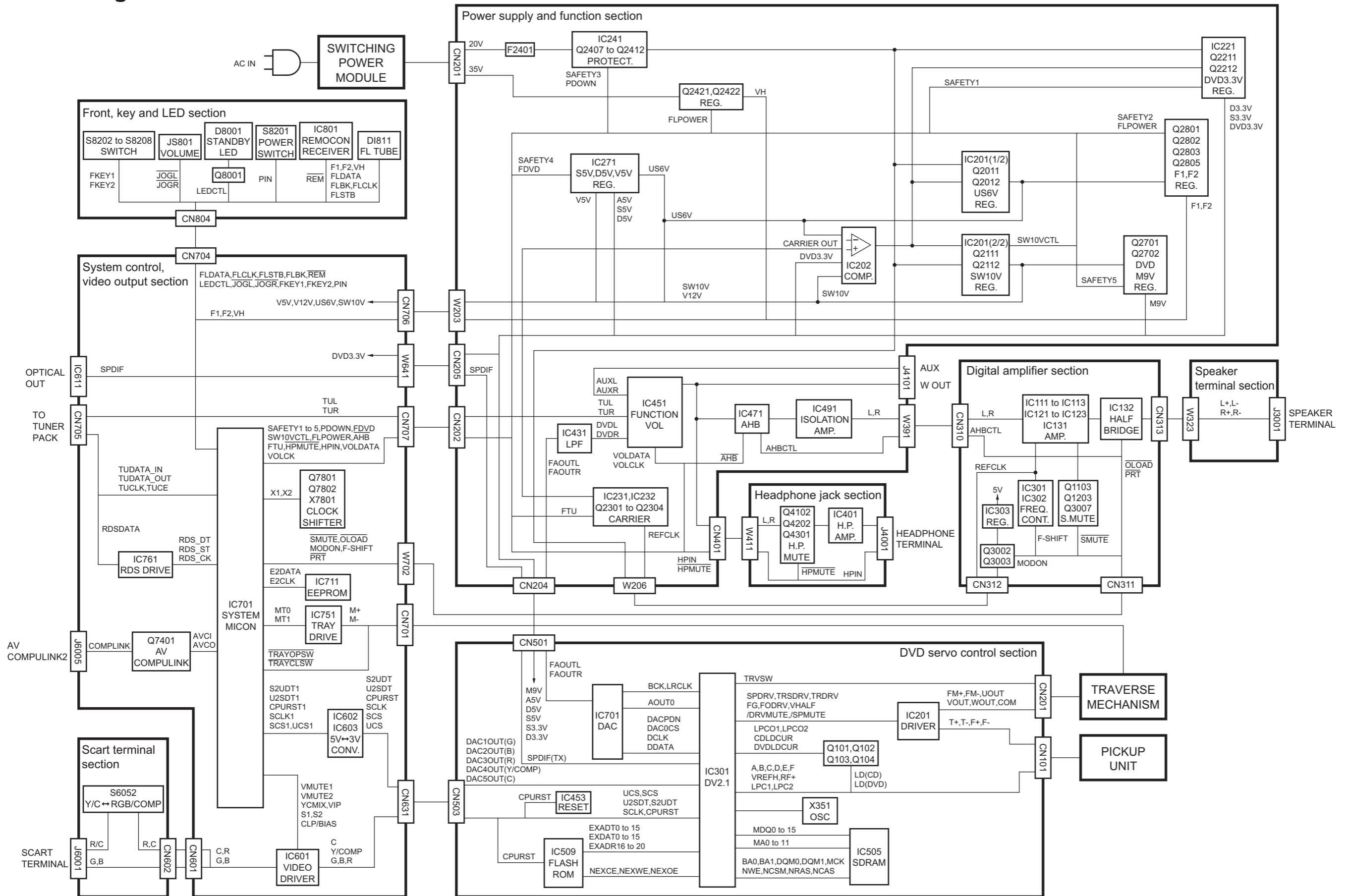


### Contents

Block diagram .....	2-1
Standard schematic diagrams .....	2-2
Printed circuit boards .....	2-9 to 13

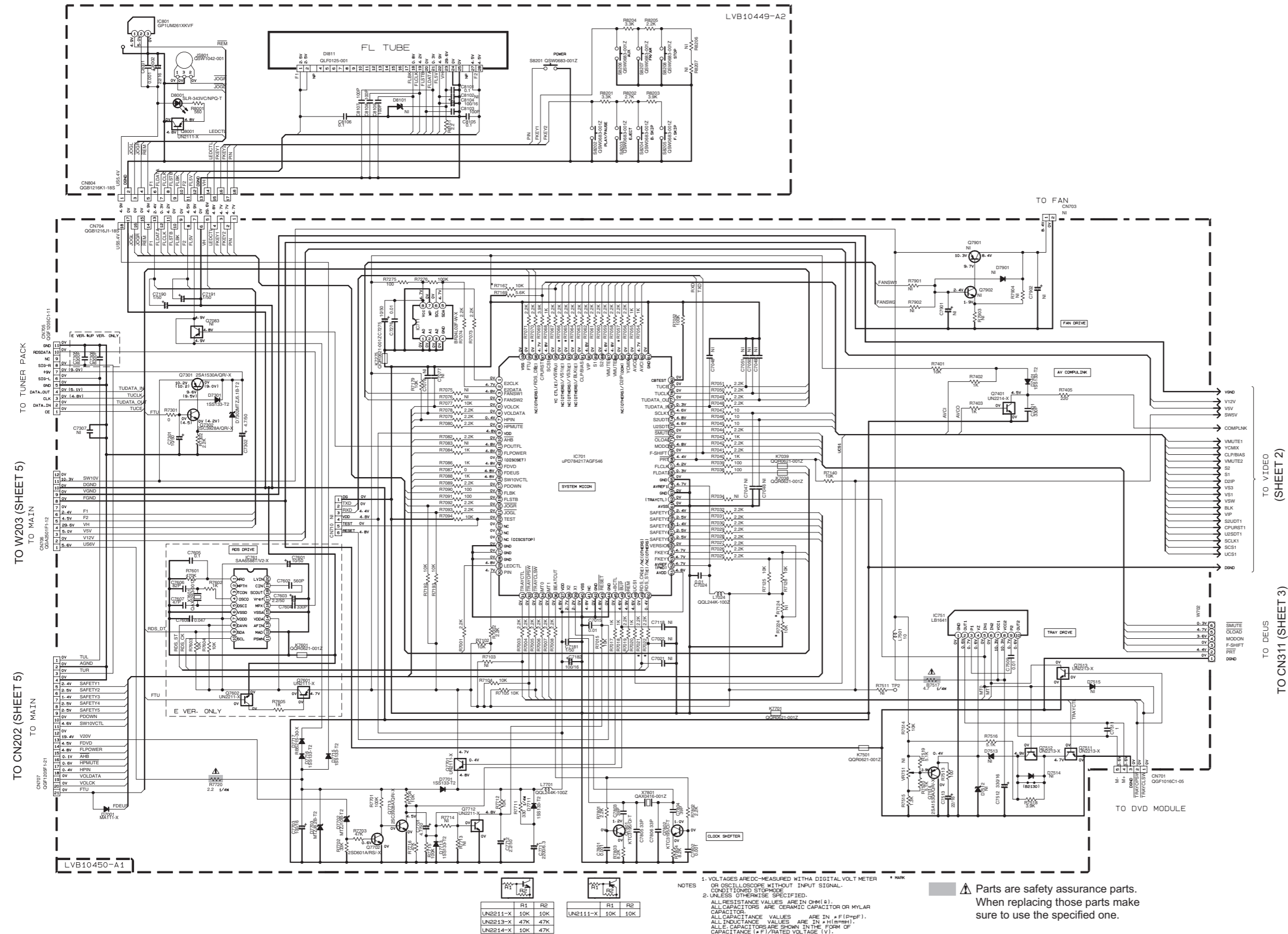
In regard with component parts appearing on the silk-screen printed side (parts side) of the PWB diagrams, the parts that are printed over with black such as the resistor (■), diode (⊣) and ICP (●) or identified by the "⚠" mark nearby are critical for safety.

# Block diagram



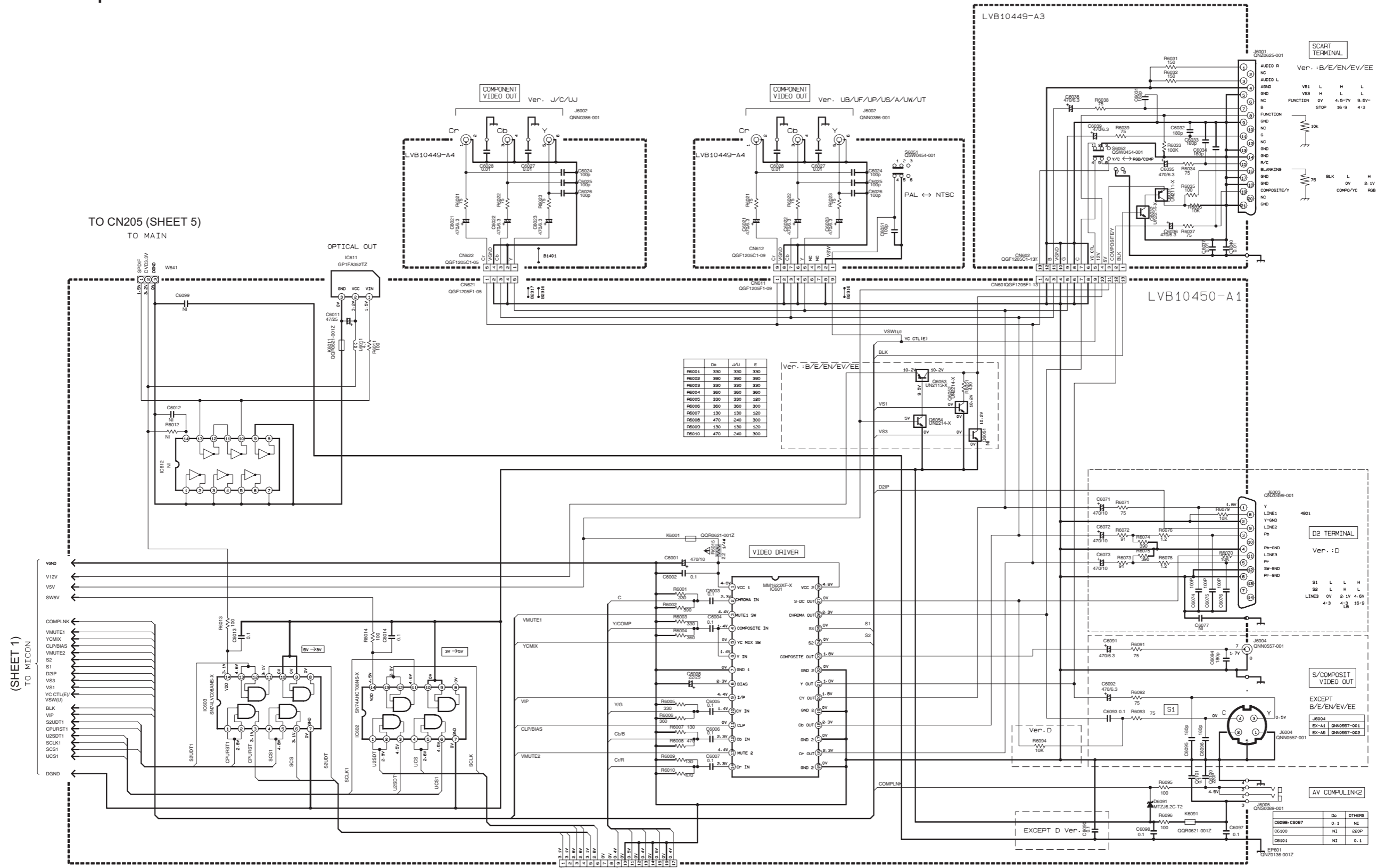
# Standard schematic diagrams

## System control, front, key and LED section





# Video output and scart terminal section



Part No.	QTY	DESCRIPTION
R6001	330	330 330
R6002	330	330 330
R6003	330	330 330
R6004	360	360 360
R6005	330	330 180
R6006	360	360 300
R6007	130	130 180
R6008	470	240 300
R6009	130	130 120
R6010	470	240 300

(SHEET 1)  
TO MICON

TO CN205 (SHEET 5)  
TO MAIN

TO DVD MODULE  
TO CN503 (SHEET 7)

Part No.	QTY	DESCRIPTION
UN2214-X	10K	47K
UN2111-X	10K	10K
UN2113-X	47K	47K

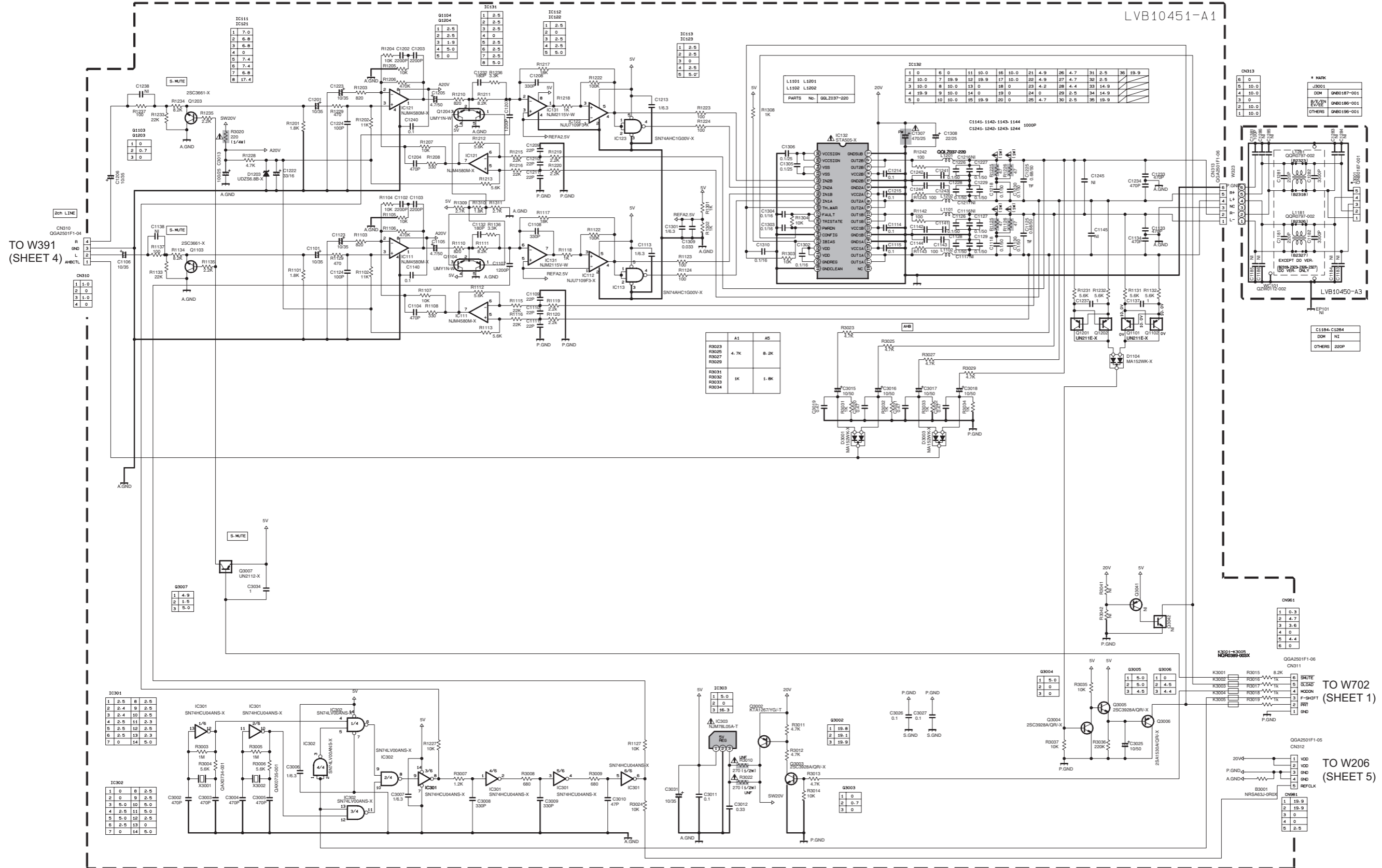
**NOTES**

- VOLTAGES ARE DC-MEASURED A WITH DIGITAL VOLT METER OR OSCILLOSCOPE WITHOUT INPUT SIGNAL. CONDITIONED STORAGE.
- UNLESS OTHERWISE SPECIFIED.

ALL RESISTANCE VALUES ARE IN OHM (Ω).  
ALL CAPACITORS ARE CERAMIC CAPACITOR OR MYLAR CAPACITORS.  
ALL CAPACITANCE VALUES ARE IN μF (P=PF).  
ALL INDUCTANCE VALUES ARE IN mH (M=MH).  
ALL E-CAPACITORS ARE SHOWN IN THE FORM OF CAPACITANCE (μF)/RATED VOLTAGE (V).

**Parts are safety assurance parts. When replacing those parts make sure to use the specified one.**

■ Digital amplifier and speaker terminal section



LVB10451-A1

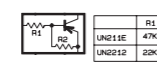
TO W391  
(SHEET 4)

TO W702  
(SHEET 1)

TO W206  
(SHEET 5)

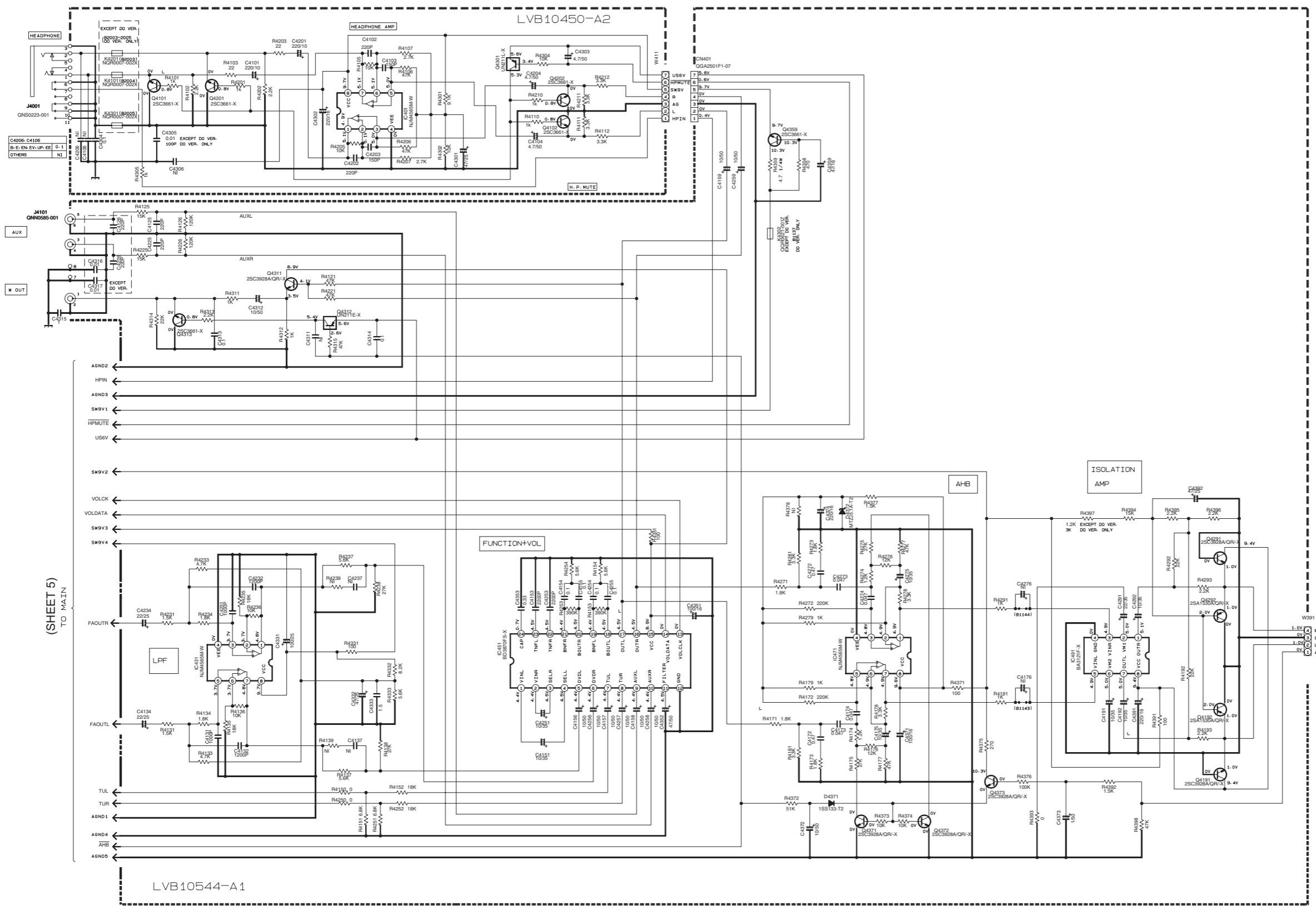
NOTES

- 1. VOLTAGES ARE CD-MEASURED WITH A DIGITAL VOLT METER WITHOUT INPUT SIGNAL. 2. UNLESS OTHERWISE SPECIFIED, RESISTORS ARE 1/16W±5% METAL GLAZE RESISTOR. ALL RESISTANCE VALUES ARE IN Ω(M) (Ω).
- ALL CAPACITORS ARE CERAMIC CAPACITOR OR MYLAR CAPACITOR. ALL CAPACITANCE VALUES ARE IN #F (#PF).
- ALL INDUCTANCE VALUES ARE IN #H (#MH).
- ALL CAPACITORS ARE SHOWN IN THE FORM RESET OF INH CAPACITANCE (#F)/RATED VOLTAGE (V).



▲ Parts are safety assurance parts.  
When replacing those parts make sure to use the specified one.

Function and headphone jack section



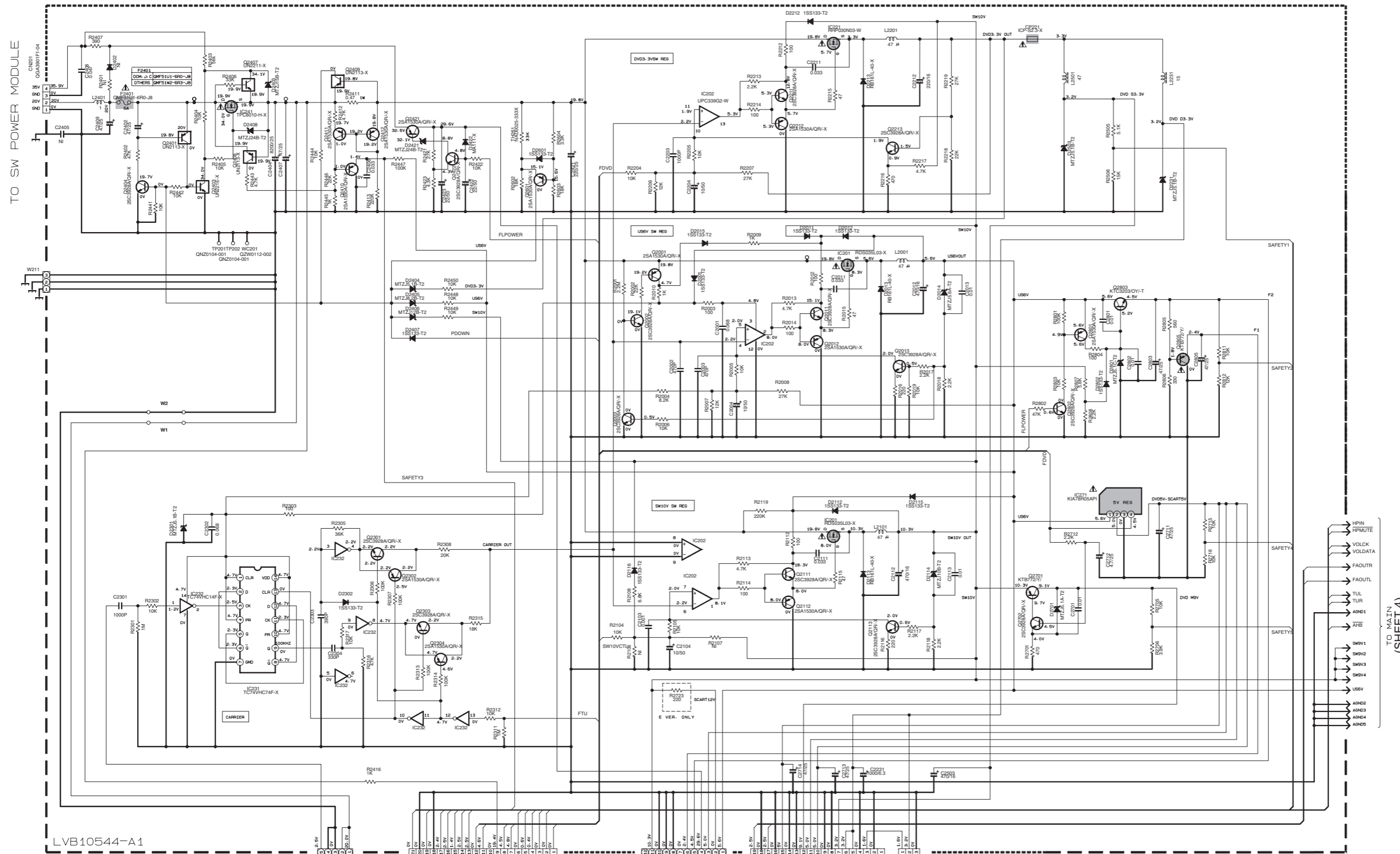
(SHEET 5)  
TO MAIN

TO CN310 (SHEET 3)  
TO DEUS

NOTES  
1. VOLTAGES ARE DC-MEASURED WITH A DIGITAL VOLT METER OR OSCILLOSCOPE WITHOUT INPUT SIGNAL. CONDITION- CD STOP MODE  
2. UNLESS OTHERWISE SPECIFIED:  
ALL RESISTANCE VALUES ARE IN OHM(S). ALL CAPACITORS ARE CERAMIC CAPACITOR OR MYLAR CAPACITOR.  
ALL CAPACITANCE VALUES ARE IN \*F(P\*P\*F). ALL INDUCTANCE VALUES ARE IN \*H(M\*H\*H). ALL E-CAPACITORS ARE SHOWN IN THE FORM OF CAPACITANCE (UF)/RATED VOLTAGE (V). ALL DIODES ARE 1S8133-T2

	R1	R2
	C1	C2
	D1	D2
	L1	L2

■ Power supply section



LVB10544-A1

R1	R2
UN211-X	10K 10K
UN21E-X	47K 22K

TO DEUS  
TO CN312  
(SHEET 3)

TO CN707  
(SHEET 1)

TO CN706  
(SHEET 1)

TO DVD MODULE  
TO CN501 (SHEET 7)

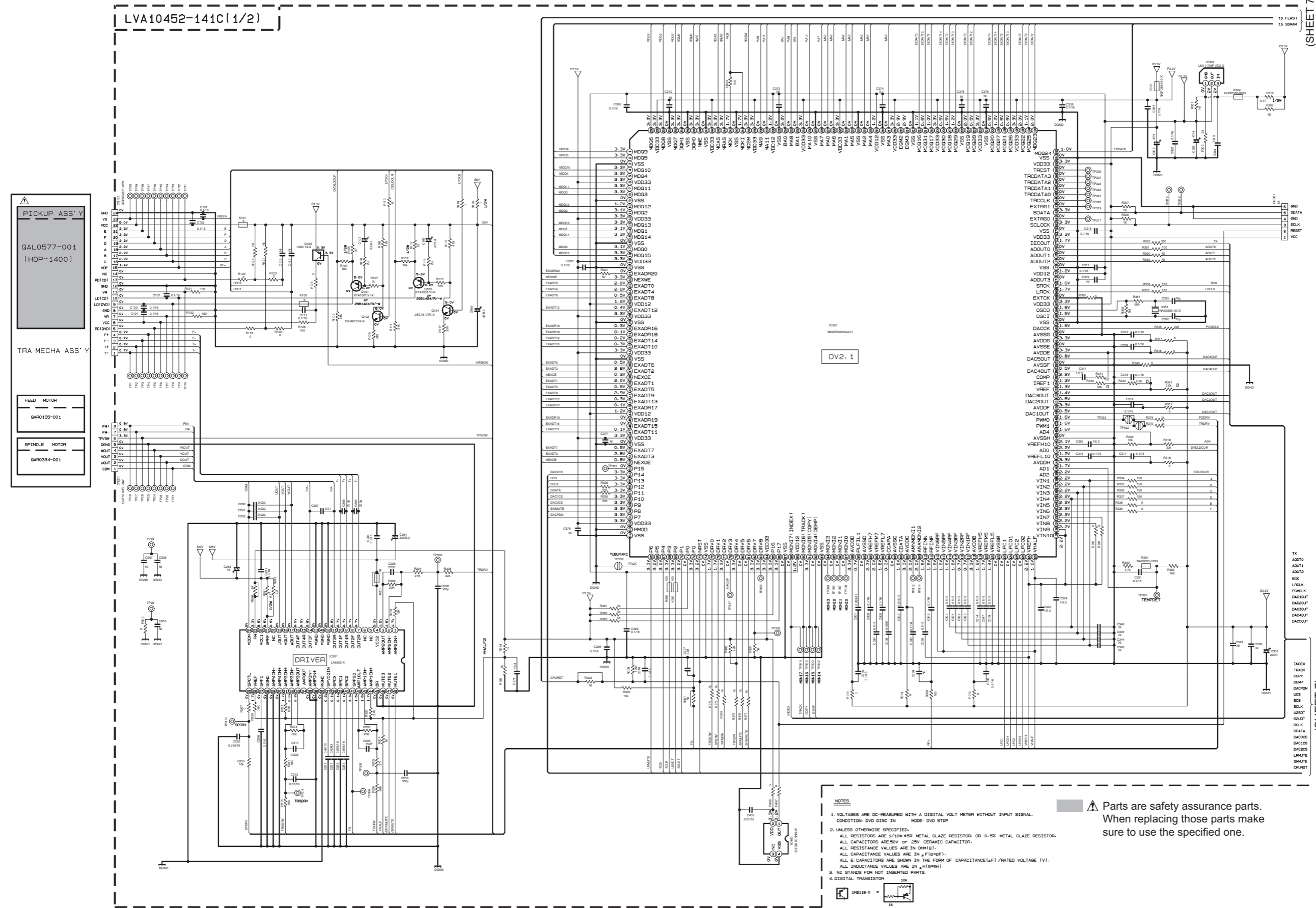
TO VIDEO  
TO W641  
(SHEET 2)

▲ Parts are safety assurance parts.  
When replacing those parts make  
sure to use the specified one.

- NOTES
1. VOLTAGES ARE DC-MEASURED WITH DIGITAL VOLT METER OR OSCILLOSCOPE WITHOUT INPUT SIGNAL. CONDITION- CD STOP MODE.
  2. UNLESS OTHERWISE SPECIFIED:  
ALL RESISTANCE VALUES ARE IN OHM (Ω).  
ALL CAPACITANCE VALUES ARE IN μF (μF).  
ALL CAPACITANCE VALUES ARE IN nF (nF).  
ALL INDUCTANCE VALUES ARE IN mH (mH).  
ALL E-CAPACITORS ARE SHOWN IN THE FORM OF CAPACITANCE (μF/RATED VOLTAGE (V)).

TO MAIN  
(SHEET 4)

DVD servo control section (1/2)



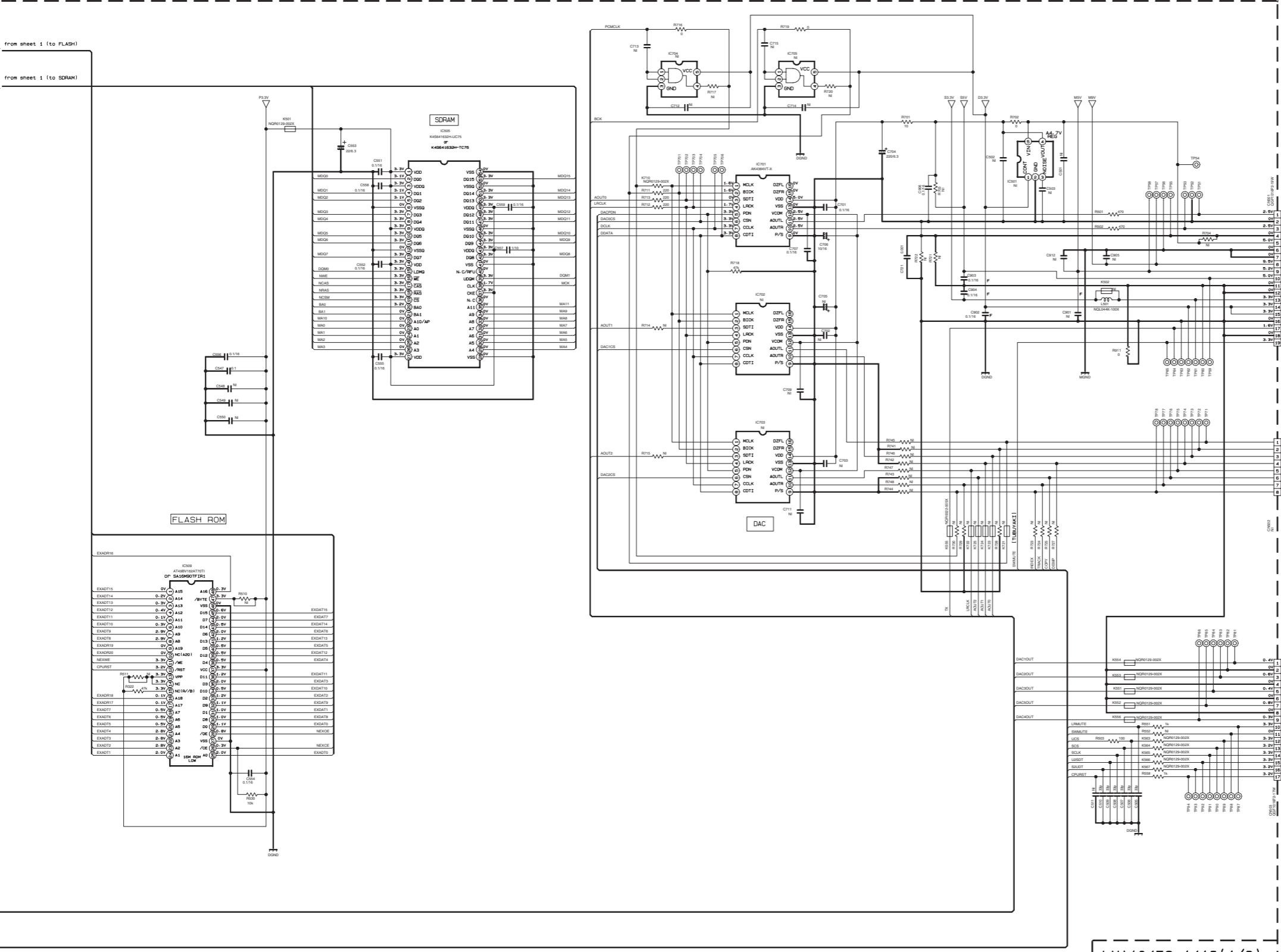


DVD servo control section (2/2)

(SHEET 6)

(SHEET 6)

TX  
ADUT0  
ADUT1  
ADUT2  
BCK  
LRCLK  
POMCLK  
DAC1OUT  
DAC2OUT  
DAC3OUT  
DAC4OUT  
DAC5OUT  
LPMUTE  
SWMUTE  
CPURST  
INDEX  
TRACK  
COPY  
DENP



TO CN204 (SHEET 5)

TO CN631 (SHEET 2)

LVA10452-141C (1/2)

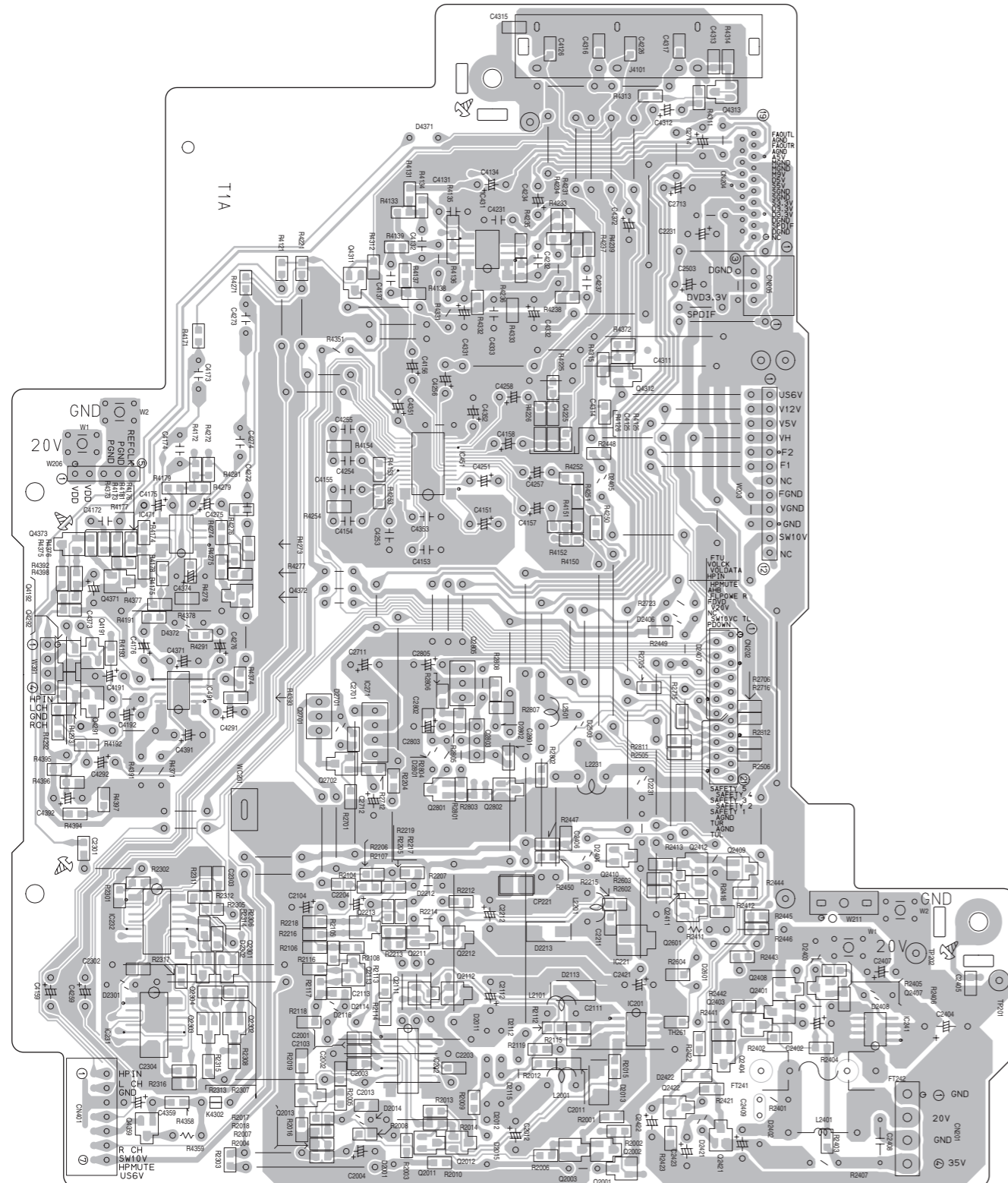
**NOTES**

- VOLTAGES ARE DC-MEASURED WITH A DIGITAL VOLT METER WITHOUT INPUT SIGNAL. CONDITION: DVD DISC IN. MODE: DVD STOP.
- UNLESS OTHERWISE SPECIFIED, ALL RESISTORS ARE 1/10W 05X METAL GLAZE RESISTOR OR 0.05X METAL GLAZE RESISTOR. ALL CAPACITORS ARE 50V OF 50V CERAMIC CAPACITOR. ALL RESISTANCE VALUES ARE IN OHM(S). ALL CAPACITANCE VALUES ARE IN pF(pppF). ALL CAPACITORS ARE SHOWN IN THE FORM OF CAPACITANCE(pF)/RATED VOLTAGE (V). ALL INDUCTANCE VALUES ARE IN uH(=mH).
- NI STANDS FOR NOT INSERTED PARTS.

# Printed circuit boards

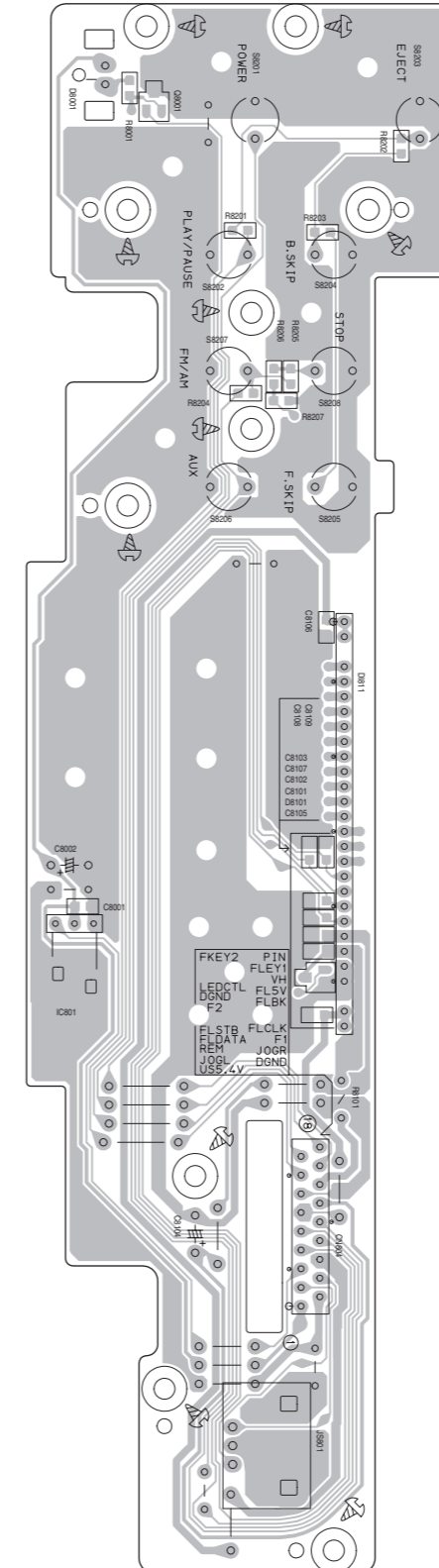
## ■ Main board (1/2)

(Main board)

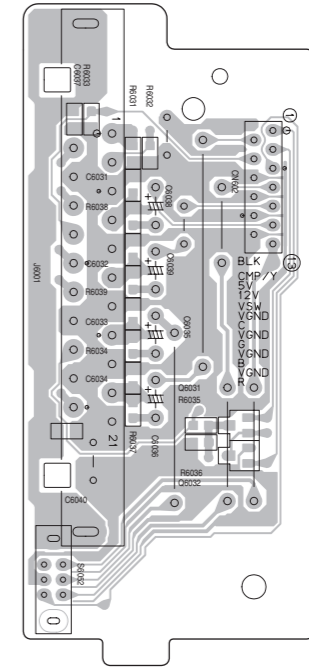


## ■ Main board (2/2)

(Front board)

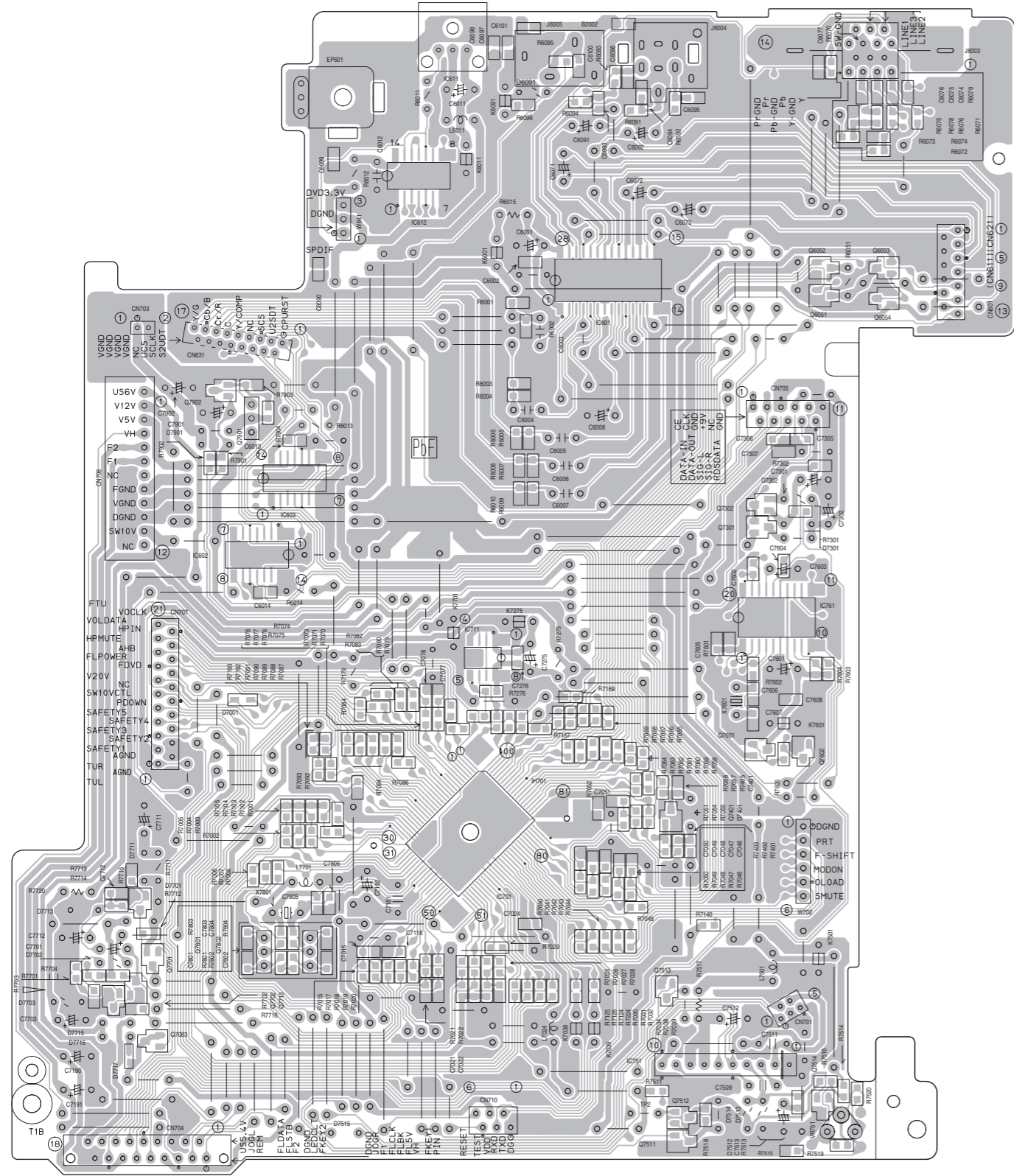


(Scart terminal board)



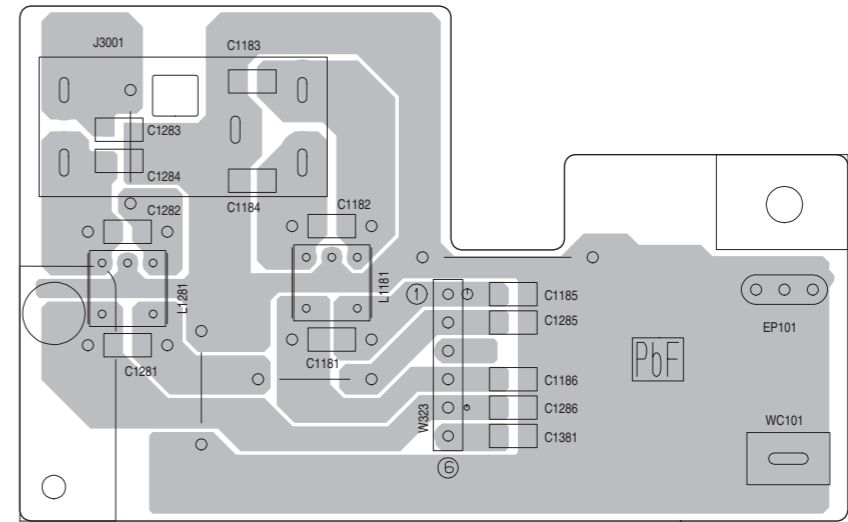
■ Micom board (1/2)

(Micom board)

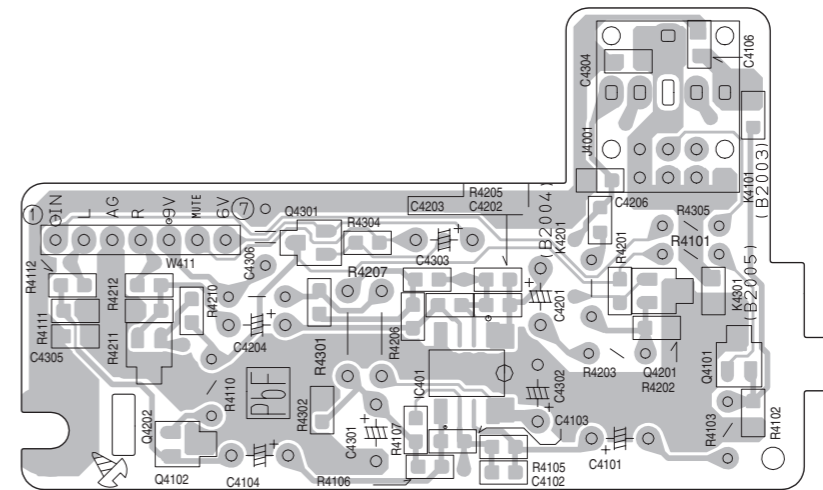


■ Micom board (2/2)

(Speaker terminal board)



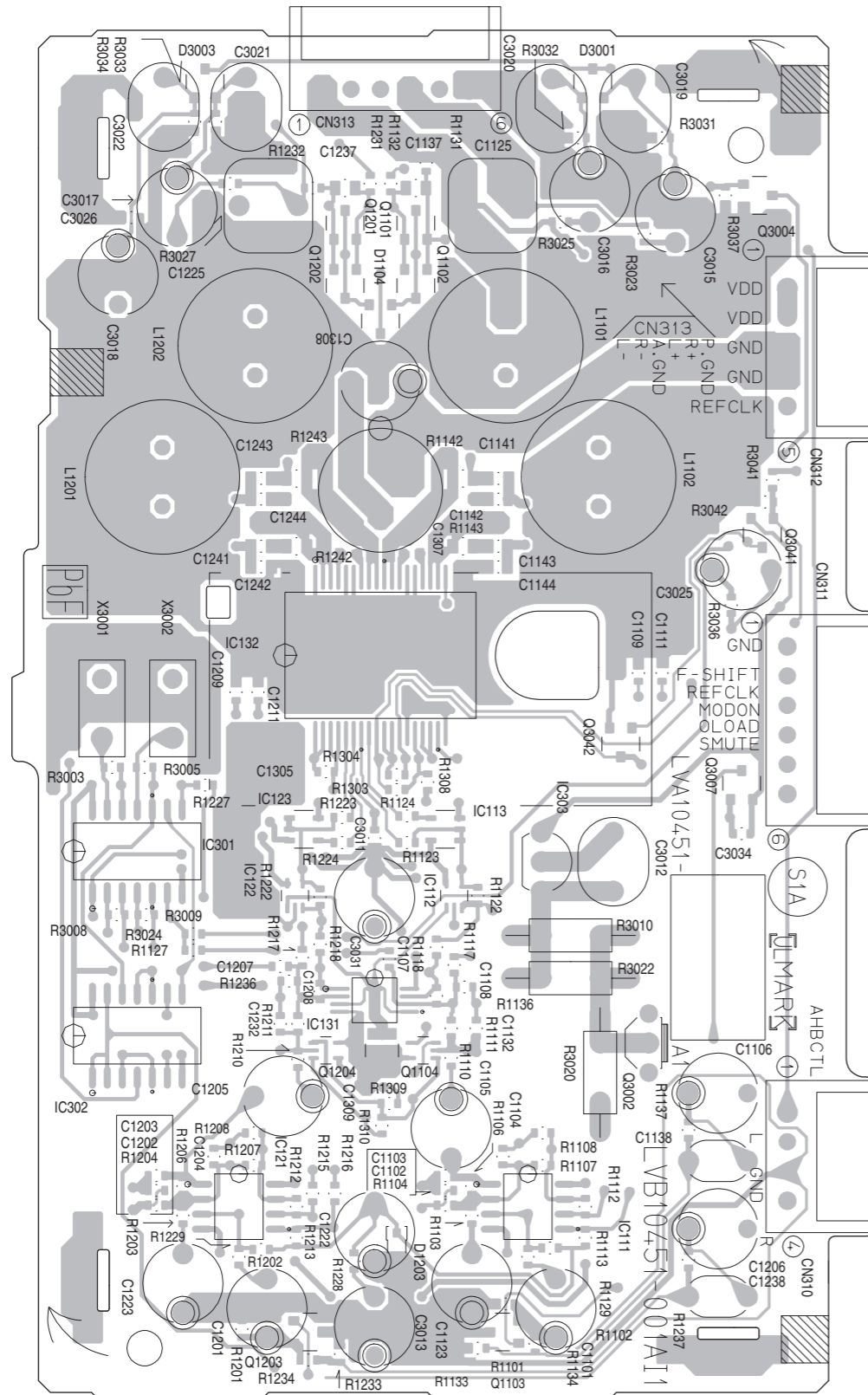
(Headphone board)



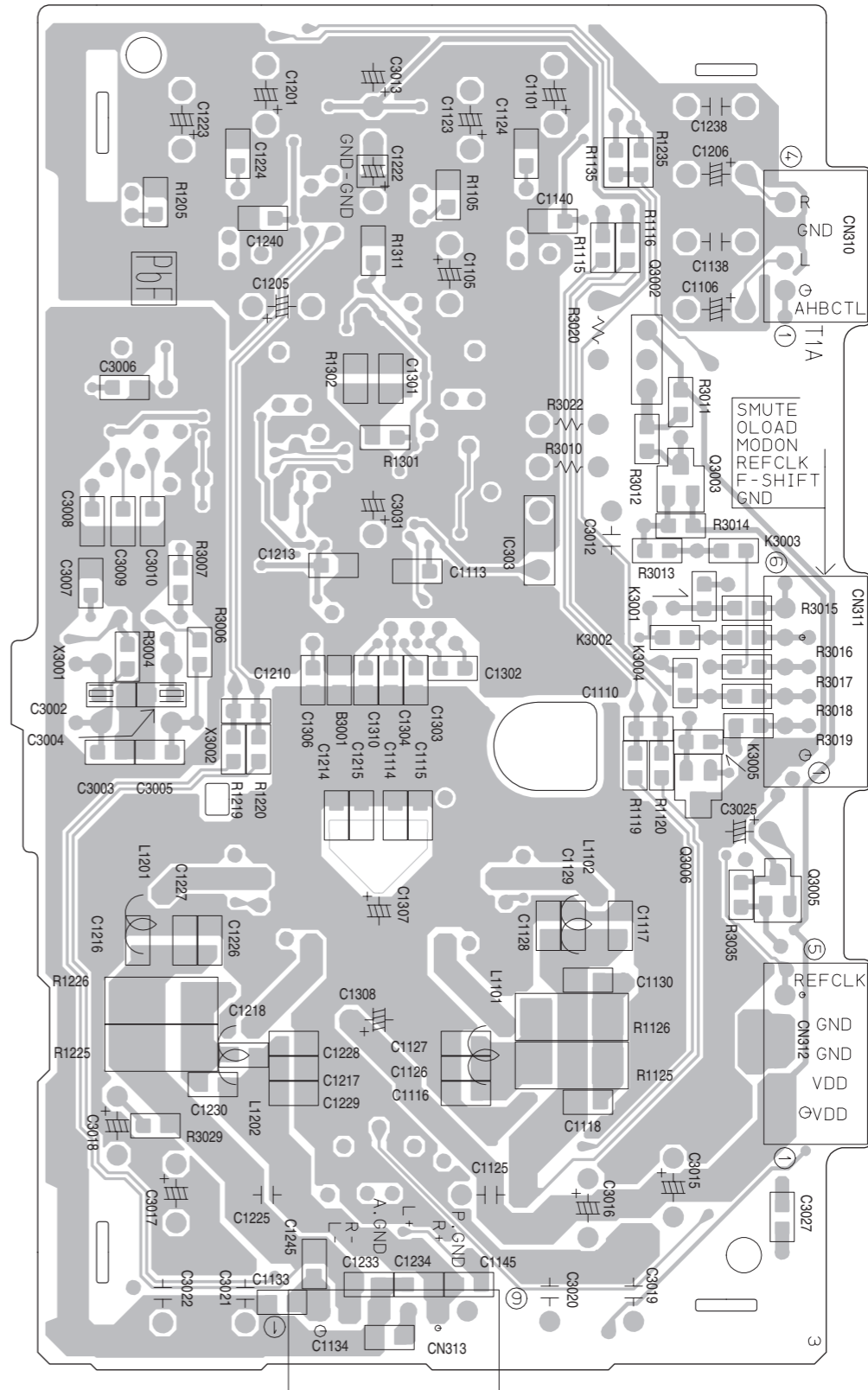


■ Digital amplifier board

Forward side

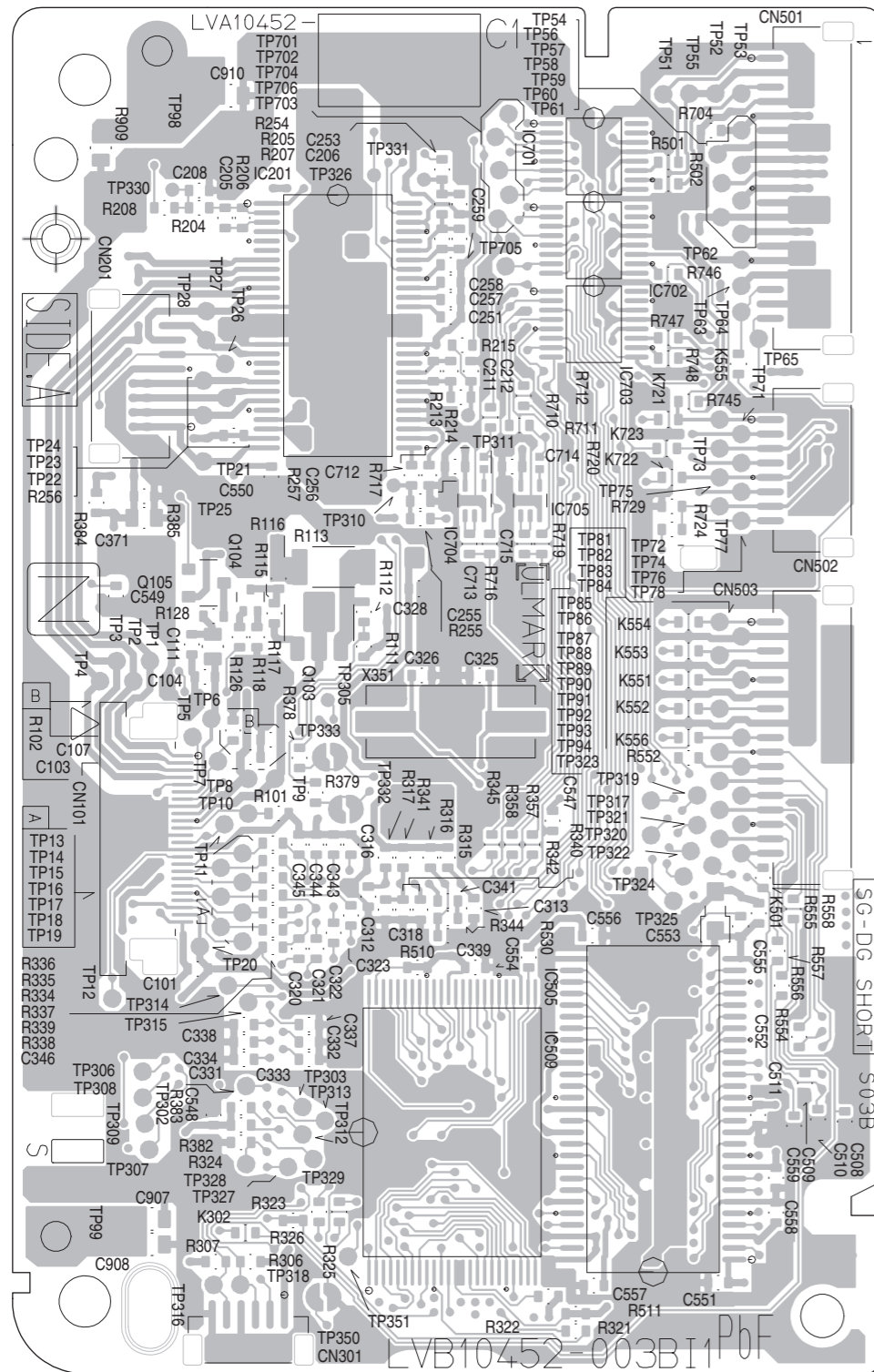


Reverse side

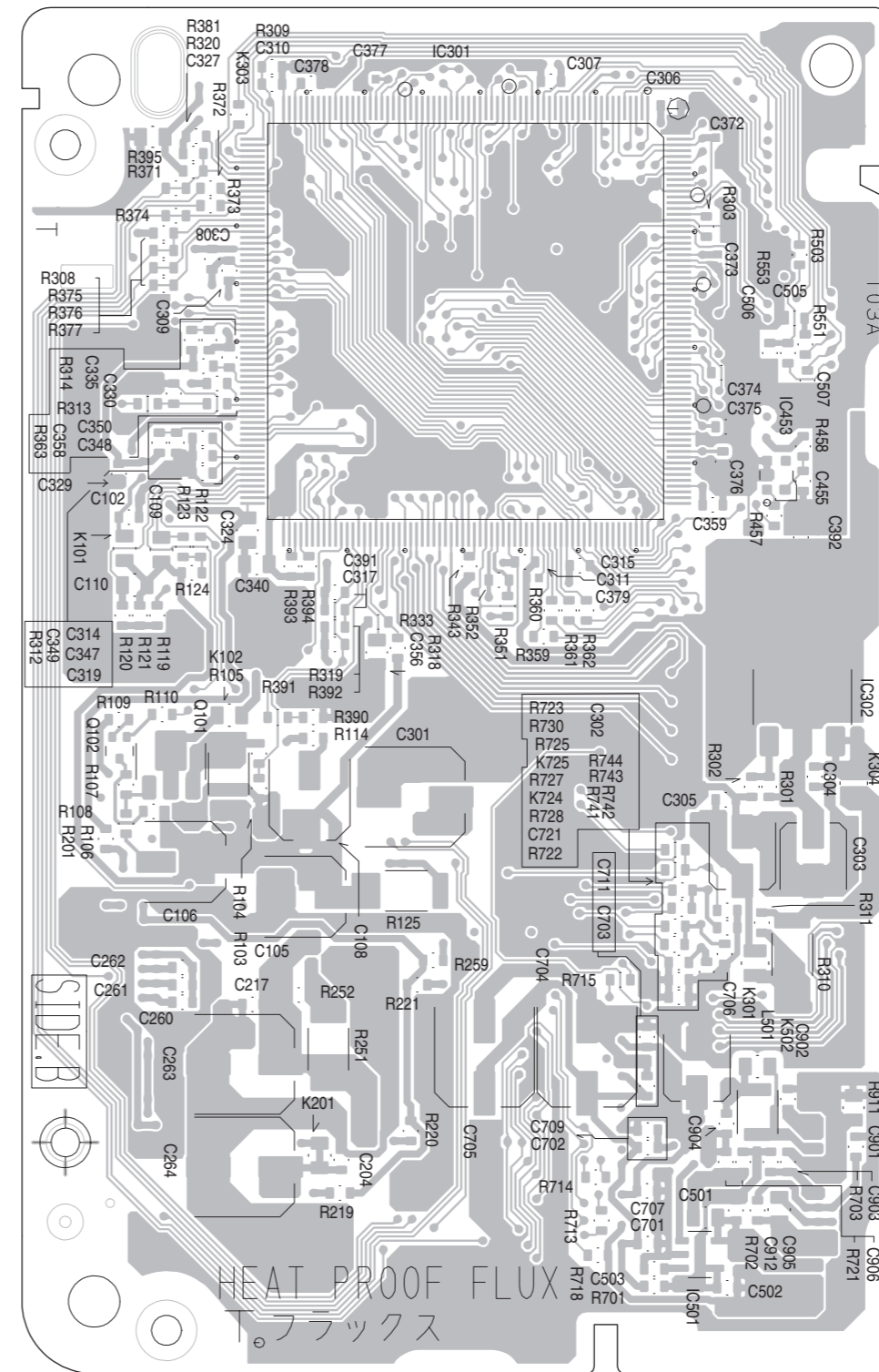


■ DVD servo control board

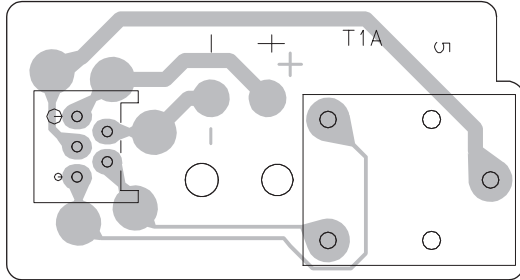
Forward side



Reverse side



## ■ DVD loading switch board



**JVC**

Victor Company of Japan, Limited

AV & MULTIMEDIA COMPANY AUDIO/VIDEO SYSTEMS CATEGORY 10-1, 1chome, Ohwatari-machi, Maebashi-city, 371-8543, Japan

(No.MB373SCH)



Printed in Japan  
VPT

# PARTS LIST

[ EX-P1 ]

\* All printed circuit boards and its assemblies are not available as service parts.

## EX-P1

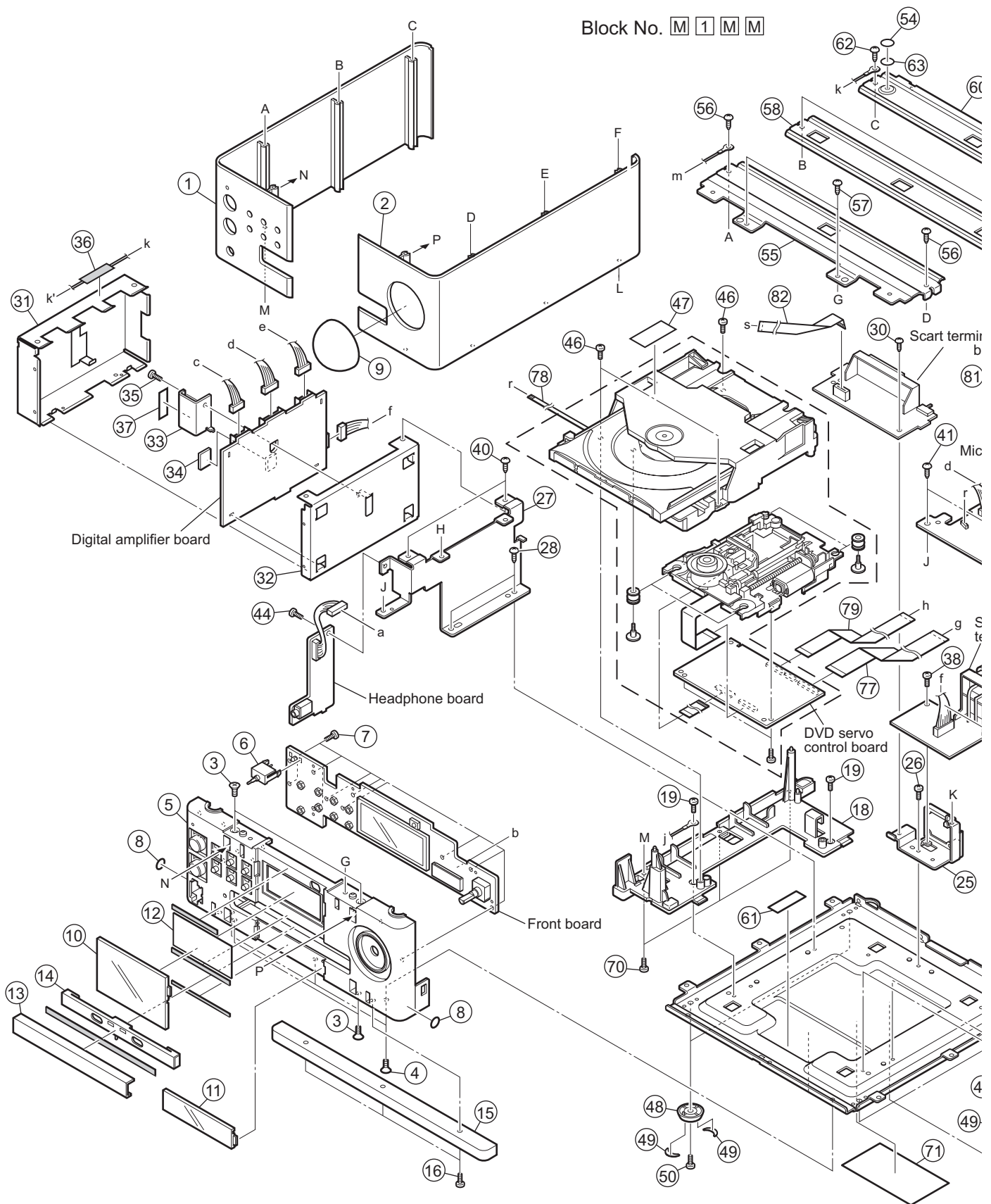
Area suffix

E ----- Continental Europe

### - Contents -

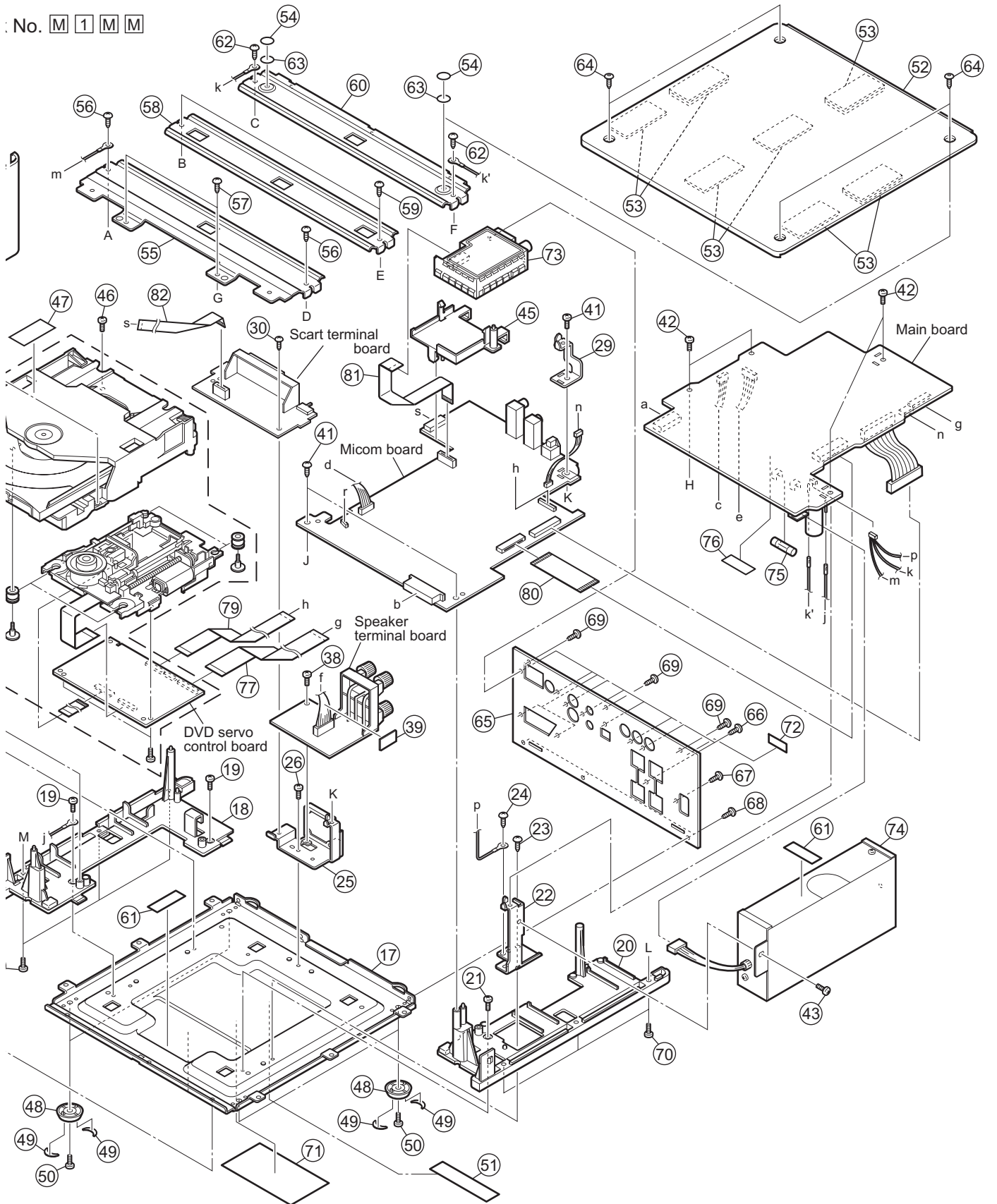
Exploded view of general assembly and parts list (Block No.M1) .....	3- 2
Speaker assembly and parts list (Block No.M2) .....	3- 6
DVD mechanism assembly and parts list (Block No.MJ) .....	3- 8
DVD loading base assembly and parts list (Block No.MN) .....	3-10
Electrical parts list (Block No.01~05) .....	3-12
Packing materials and accessories parts list (Block No.M3) .....	3-22

# Exploded view of general assembly and parts list





No. M 1 M M



# General Assembly

Block No. [M][1][M][M]

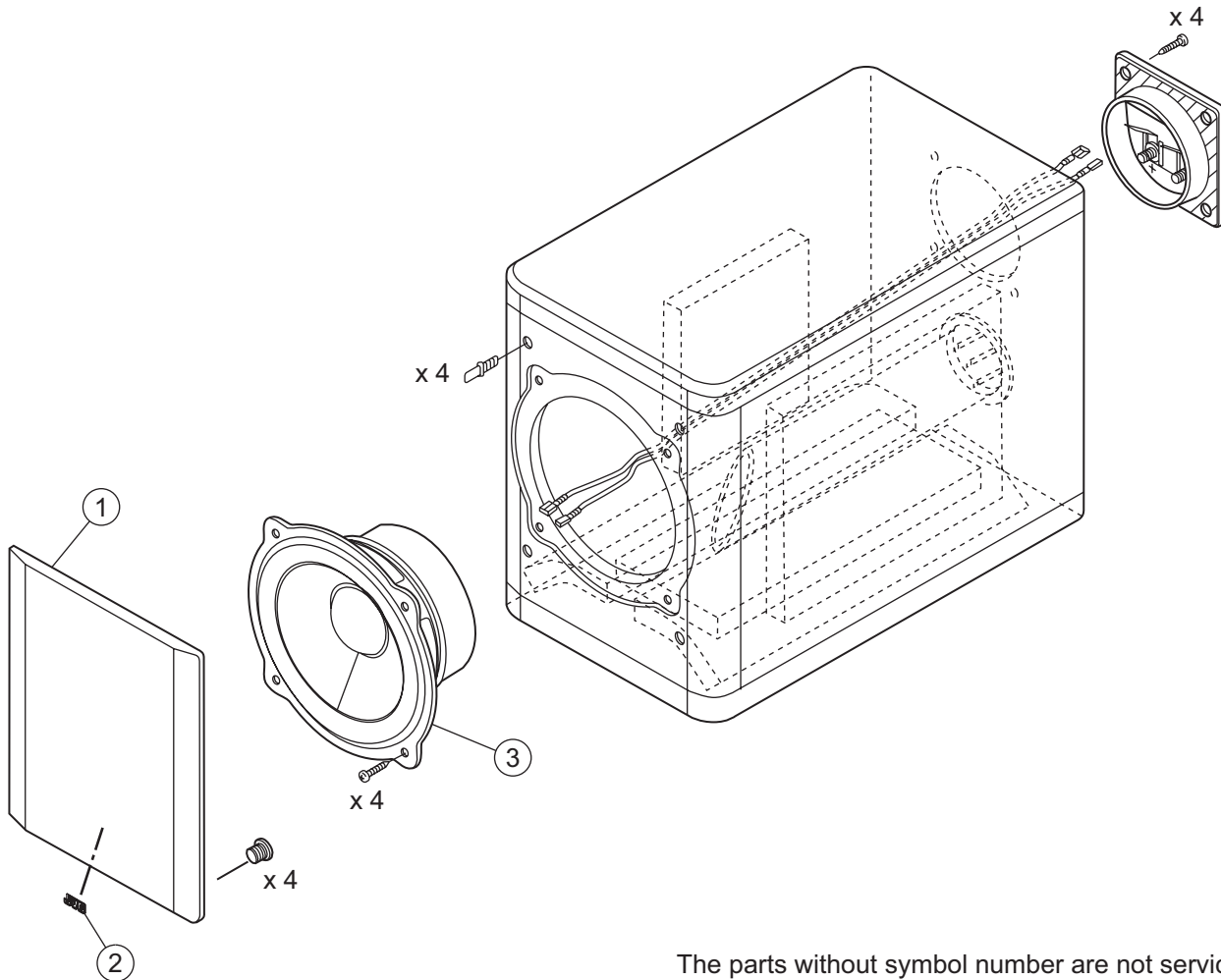
△	Symbol No.	Part No.	Part Name	Description	Local
	1	LV10841-201A	AL PANEL L		
	2	LV10842-202A	AL PANEL R		
	3	QYSDSF3008ZA	TAP SCREW	M3 x 8mm(x4)	
	4	QYSSST3006ZA	TAP SCREW	M3 x 6mm(x3)	
	5	LV10843-003A	FRONT PANEL		
	6	LV43596-001A	INDICATOR		
	7	QYSDSF2608ZA	TAP SCREW	M2.6 x 8mm(x10)	
	8	GN30007-003A	SPACER	(x2)	
	9	LV34464-001A	VOLUME ASSY		
	10	LV34428-002A	FRONT LENS A		
	11	LV34429-002A	FRONT LENS B		
	12	LV42851-008A	SCREEN		
	13	LV34430-001A	FITTING COVER		
	14	LV21349-001A	TRAY FITTING(A)		
	15	LV34440-002A	WOOD BAR		
	16	QYSDSF3012MA	TAP SCREW	M3 x 12mm(x3)	
	17	LV10844-001A	BOTTOM CHASSIS		
	18	LV21591-001A	SIDE COVER L		
	19	QYSBST3006EA	TAP SCREW	M3 x 6mm(x2)	
	20	LV21592-001A	SIDE COVER R		
	21	QYSBST3006EA	TAP SCREW	M3 x 6mm	
	22	LV34431-001A	BRACKET A		
	23	QYSBST3006EA	TAP SCREW	M3 x 6mm	
	24	QYSBST3006EA	TAP SCREW	M3 x 6mm	
	25	LV34432-001A	BRACKET B		
	26	QYSBST3006EA	TAP SCREW	M3 x 6mm	
	27	LV34433-001A	BRACKET C		
	28	QYSBST3006EA	TAP SCREW	M3 x 6mm(x2)	
	29	LV34465-001A	BRACKET D		
	30	QYSBST3006EA	TAP SCREW	M3 x 6mm	
	31	LV34434-001A	DEUS CASE A		
	32	LV34435-001A	DEUS CASE B		
	33	LV43595-001A	HEAT SINK		
	34	LV43407-005A	RUBBER SHEET		
	35	QYSBST2606EA	TAP SCREW	M2.6 x 6mm	
	36	LV30225-011A	SPACER		
	37	LV43407-006A	RUBBER SHEET		
	38	QYSBST3006EA	TAP SCREW	M3 x 6mm	
	39	LV30225-0R2A	SPACER		
	40	QYSBST2606EA	TAP SCREW	M2.6 x 6mm(x2)	
	41	QYSDSG3010NA	TAP SCREW	M3 x 10mm(x3)	
	42	QYSDSG3010NA	TAP SCREW	M3 x 10mm(x4)	
	43	QYSBSGY3008EA	TAP SCREW	M3 x 8mm	
	44	QYSDSG3010NA	TAP SCREW	M3 x 10mm	
	45	LV34439-001A	TUNER HOLDER		
	46	QYSDSF3010ZA	TAP SCREW	M3 x 10mm(x3)	
	47	LV42035-002A	LASER CAUTION		
	48	LV43597-001A	FOOT	(x4)	
	49	LV43602-001A	FOOT FELT	(x8)	
	50	QYSDST3006MA	TAP SCREW	M3 x 6mm(x4)	
	51	LV41772-002A	CAUTION LABEL		
	52	LV10845-202A	TOP COVER		
	53	LV30225-0R2A	SPACER	(x10)	
	54	LV30226-043A	SPACER	(x2)	
	55	LV34436-001A	BRIDGE A		
	56	QYSSSG3008EA	TAP SCREW	M3 x 8mm(x2)	
	57	QYSDSF3010MA	TAP SCREW	M3 x 10mm(x2)	
	58	LV34437-001A	BRIDGE B		
	59	QYSSSG3008EA	TAP SCREW	M3 x 8mm(x2)	
	60	LV34438-002A	BRIDGE C		
	61	LV30225-011A	SPACER	(x2)	
	62	QYSSSG3008EA	TAP SCREW	M3 x 8mm(x2)	
	63	GN30007-003A	SPACER	(x2)	
	64	LV43598-002A	SPECIAL SCREW	(x4)	
	65	LV21947-023A	REAR PANEL		
	66	QYSBSGY3008EA	TAP SCREW	M3 x 8mm(x10)	
	67	QYSBSF3008MA	TAP SCREW	M3 x 8mm	
	68	QYSBSGY3008EA	TAP SCREW	M3 x 8mm(x3)	
	69	QYSBSGY3008EA	TAP SCREW	M3 x 8mm(x3)	
	70	QYSBSGY3008EA	TAP SCREW	M3 x 8mm(x6)	
	71	LV43614-001A	LABEL		
	72	LV44233-001A	LABEL		
	73	QAU0347-001	TUNER		
	74	QAL0511-008	SW POWER UNIT		



△	Symbol No.	Part No.	Part Name	Description	Local
△	75	QMF51W2-6R3-J8	FUSE	6.3A AC250V	
	76	LV41385-016A	T6R3 FUSE LABEL		
	77	QUQ110-1917AJ-E	FFC WIRE	19pin 17cm	
	78	QUQ110-0510AJ-E	FFC WIRE	5pin 10cm	
	79	QUQ110-1719AJ-E	FFC WIRE	17pin 19cm	
	80	QUQ412-2110CJ	FFC WIRE	21pin 10cm	
	81	QUQ412-1111CJ	FFC WIRE	11pin 11cm	
	82	QUQ412-1310CJ	FFC WIRE	13pin 10cm	

# Speaker assembly and parts list

Block No. M 2 M M



## Speaker

Block No. M[2]MM

△ Symbol No.	Part No.	Part Name	Description	Local
1	LV21596-001A	SPEAKER NET	(x2)	
2	E75939-222	JVC MARK	(x2)	
3	LE10008-022A	CONE SPEAKER	(x2)	

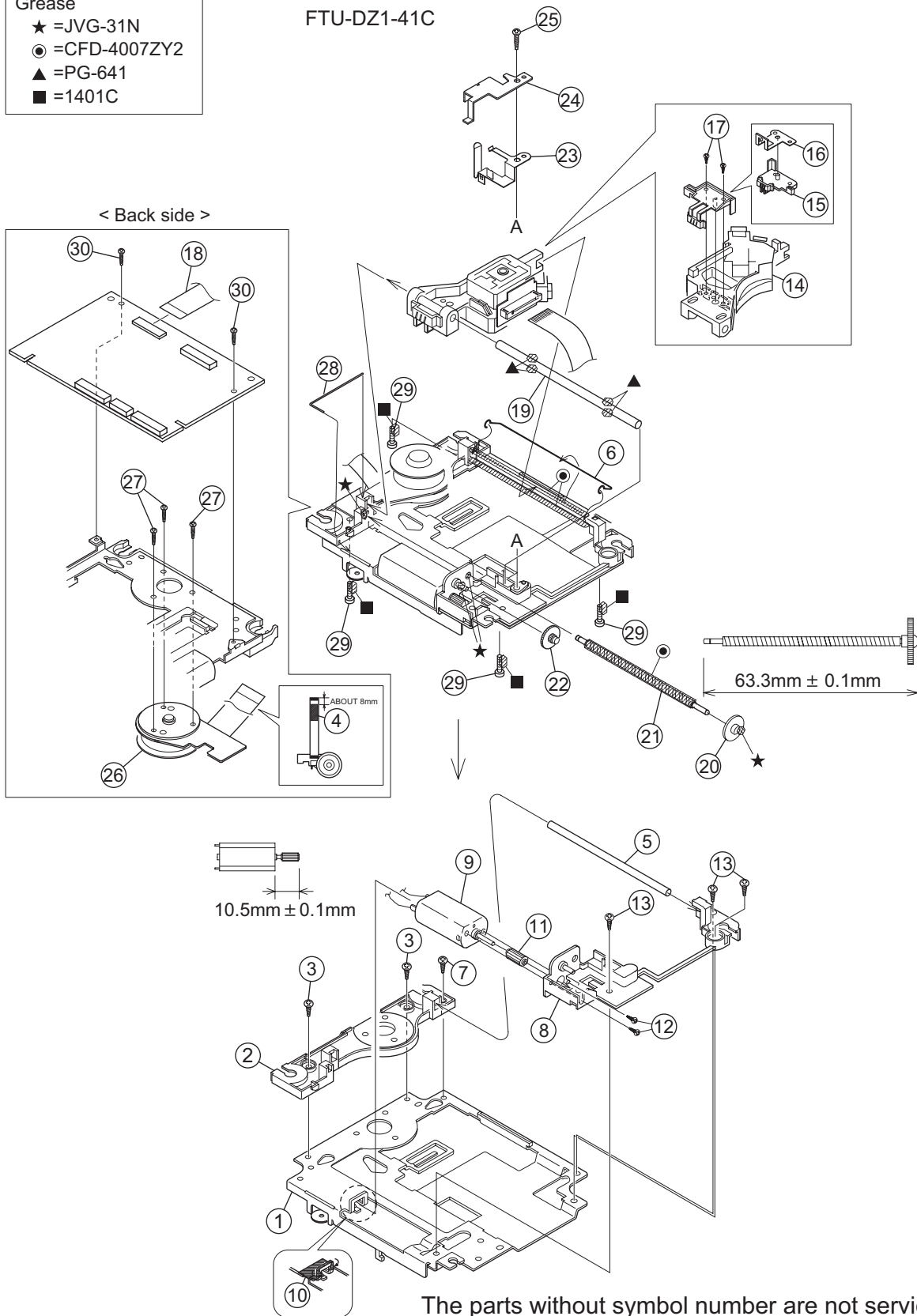
**<MEMO>**

# DVD mechanism assembly and parts list

- Grease
- ★ =JVG-31N
  - ◎ =CFD-4007ZY2
  - ▲ =PG-641
  - =1401C

FTU-DZ1-41C

Block No. M J M M



The parts without symbol number are not service.

# DVD mechanism

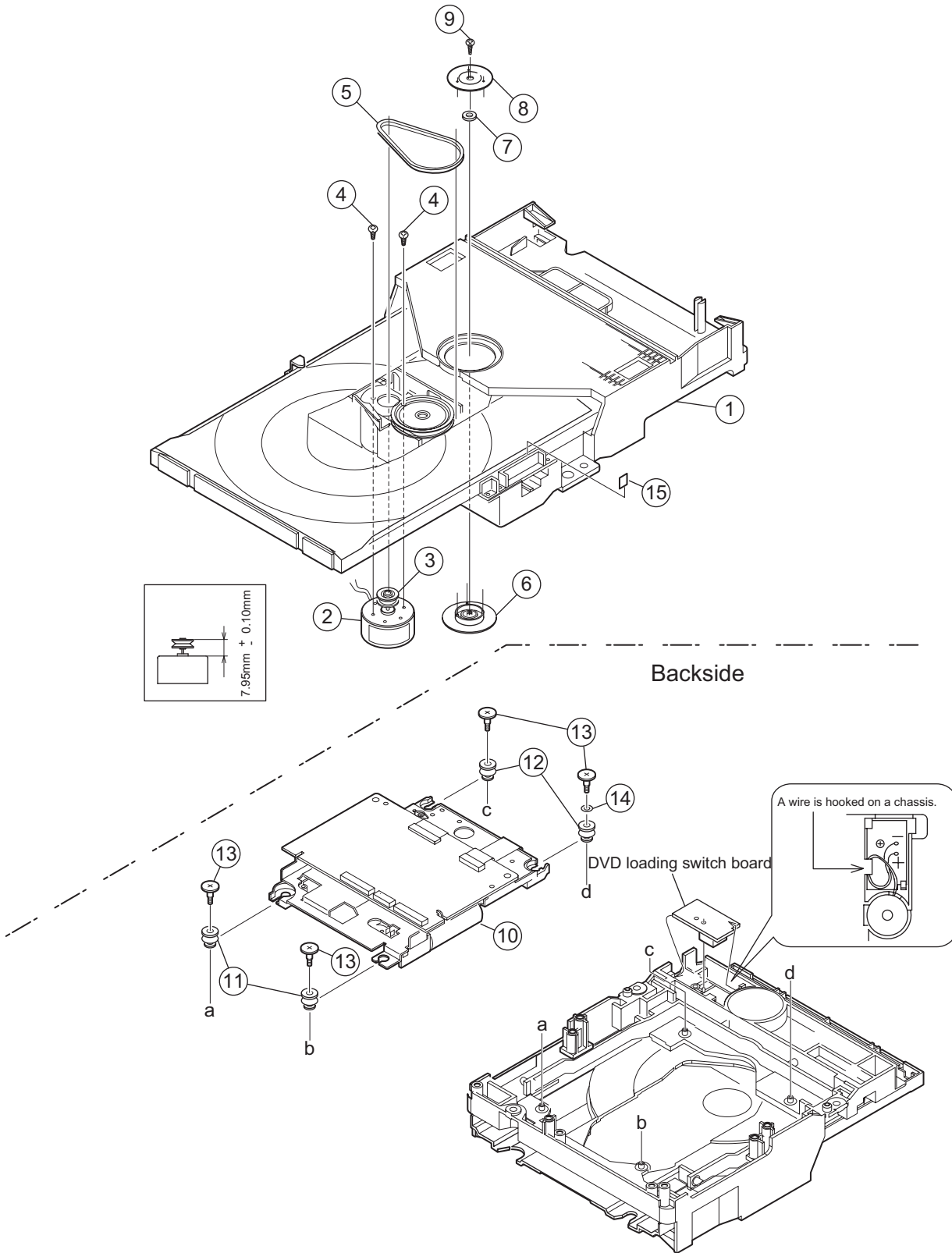
Block No. [M][J][M][M]

△	Symbol No.	Part No.	Part Name	Description	Local
	1	LV21814-001A	MECHA BASE		
	2	LE20731-002A	SPINDLE BASE		
	3	QYSDST2605MA	TAP SCREW	M2.6 x 5mm(x2)	
	4	LV30225-0X6A	SPACER		
	5	LE40931-001A	SHAFT		
	6	LE40995-001A	BAR SPRING		
	7	QYSPSTU2080MA	TAP SCREW	M2 x 8mm	
	8	LE20730-002A	FEED HOLDER		
	9	QAR0165-001	FEED MOTOR		
	10	LV30225-0X5A	SPACER		
	11	LV41510-001A	FEED GEAR T		
	12	QYSPSPU2040MA	SCREW	M2 x 4mm(x2)	
	13	QYSDST2605MA	TAP SCREW	M2.6 x 5mm(x3)	
△	14	QAL0577-001	PUP		
	15	LE20732-001A	SW ACTUATOR		
	16	LE31093-001A	LEAD SPRING		
	17	QYSPSFU1740ZA	TAP SCREW	M1.7 x 4mm(x2)	
	18	QUQ105-2412AC	FFC WIRE	24pin 12cm	
	19	LE40931-001A	SHAFT		
	20	LE40855-002A	FEED GEAR E		
	21	LV41517-003A	LEAD SCREW		
	22	LE40930-001A	FEED GEAR M		
	23	LE40928-002A	THURUST SPRING		
	24	LE40927-002A	PLATE		
	25	QYSDST2614ZA	TAP SCREW	M2.6 x 14mm	
	26	QAR0334-001	S.MOTOR		
	27	QYSPSPU1760ZA	SCREW	M1.7 x 6mm(x3)	
	28	LE40994-001A	T.SPRING		
	29	LE40858-002A	SPECIAL SCREW	(x4)	
	30	QYSDST2004ZA	TAP SCREW	M2 x 4mm(x2)	

# DVD loading base assembly and parts list

FMU-DZ1-41C

Block No. M N M M



The parts without symbol number are not service.

# DVD loading base

Block No. [M][N][M][M]

△	Symbol No.	Part No.	Part Name	Description	Local
	1	LE10283-014A	LOADER SUB ASSY		
	2	QAR0197-001	MOTOR		
	3	LV42087-002A	MOTOR PULLEY		
	4	QYSPSPU1730ZA	SCREW	M1.7 x 3mm(x2)	
	5	LE40897-001A	BELT		
	6	LE31046-003A	CLAMPER		
	7	LV42930-003A	P.C.MAGNET		
	8	LE40899-001A	YOKE		
	9	LE40906-002A	SPECIAL SCREW		
	10	-----	DVD TRAMECHA UN		
	11	LE40900-003A	INSULATOR	(x2)	
	12	LE40900-005A	INSULATOR	(x2)	
	13	LE40901-002A	SPECIAL SCREW	(x4)	
	14	QYWFM419025	WASHER	9mm/4.1mm x 0.25mm	
	15	LV30225-0S5A	SPACER		

# Electrical parts list

## Main board

Block No. [0][1]

△ Symbol No.	Part No.	Part Name	Description	Local
△ IC201	RDS035L03-X	MOS FET		
IC202	UPC339G2-W	IC		
△ IC221	RHP030N03-W	IC		
IC231	TC74VHC74F-X	IC		
IC232	TC74VHC14F-X	IC		
△ IC241	TPC8010-H-X	POWER MOS FET		
△ IC271	KIA78R05API	IC		
IC431	NJM4565M-W	IC		
IC451	BD3870FS-X	IC		
IC471	NJM4565M-W	IC		
IC491	BA3121F-X	IC		
IC801	GP1UM261XKVF	IR DETECT UNIT		
Q2001	2SA1530A/QR/-X	TRANSISTOR		
Q2002	2SC3928A/QR/-X	TRANSISTOR		
Q2003	2SC3928A/QR/-X	TRANSISTOR		
Q2011	2SC3928A/QR/-X	TRANSISTOR		
Q2012	2SA1530A/QR/-X	TRANSISTOR		
Q2013	2SC3928A/QR/-X	TRANSISTOR		
Q2111	2SC3928A/QR/-X	TRANSISTOR		
Q2112	2SA1530A/QR/-X	TRANSISTOR		
Q2113	2SC3928A/QR/-X	TRANSISTOR		
Q2211	2SC3928A/QR/-X	TRANSISTOR		
Q2212	2SA1530A/QR/-X	TRANSISTOR		
Q2213	2SC3928A/QR/-X	TRANSISTOR		
Q2301	2SC3928A/QR/-X	TRANSISTOR		
Q2302	2SA1530A/QR/-X	TRANSISTOR		
Q2303	2SC3928A/QR/-X	TRANSISTOR		
Q2304	2SA1530A/QR/-X	TRANSISTOR		
Q2401	UN2113-X	DIGI TRANSISTOR		
Q2403	UN221E-X	TRANSISTOR		
Q2404	2SC3928A/QR/-X	TRANSISTOR		
Q2407	UN2211-X	TRANSISTOR		
Q2408	UN2113-X	DIGI TRANSISTOR		
Q2409	UN2113-X	DIGI TRANSISTOR		
Q2410	2SA1530A/QR/-X	TRANSISTOR		
Q2411	2SA1530A/QR/-X	TRANSISTOR		
Q2412	2SA1530A/QR/-X	TRANSISTOR		
Q2421	2SA1530A/QR/-X	TRANSISTOR		
Q2422	2SC3928A/QR/-X	TRANSISTOR		
Q2601	2SA1530A/QR/-X	TRANSISTOR		
Q2701	KTB772/Y/	TRANSISTOR		
Q2702	2SC3928A/QR/-X	TRANSISTOR		
Q2801	2SA1530A/QR/-X	TRANSISTOR		
Q2802	2SC3928A/QR/-X	TRANSISTOR		
Q2803	KTC3203/OY/-T	TRANSISTOR		
△ Q2805	KTB772/Y/	TRANSISTOR		
Q4191	2SC3928A/QR/-X	TRANSISTOR		
Q4192	2SA1530A/QR/-X	TRANSISTOR		
Q4291	2SC3928A/QR/-X	TRANSISTOR		
Q4292	2SA1530A/QR/-X	TRANSISTOR		
Q4311	2SC3928A/QR/-X	TRANSISTOR		
Q4312	UN211E-X	DIGI TRANSISTOR		
Q4313	2SC3661-X	TRANSISTOR		
Q4359	2SC3661-X	TRANSISTOR		
Q4371	2SC3928A/QR/-X	TRANSISTOR		
Q4372	2SC3928A/QR/-X	TRANSISTOR		
Q4373	2SC3928A/QR/-X	TRANSISTOR		
Q6031	UN2111-X	TRANSISTOR		
Q6032	UN2214-X	TRANSISTOR		
Q8001	UN2111-X	TRANSISTOR		
D2001	1SS133-T2	SI DIODE		
D2011	1SS133-T2	SI DIODE		
D2012	1SS133-T2	SI DIODE		
D2013	RB161L-40-X	SB DIODE		
D2014	MTZJ5.6A-T2	Z DIODE		
D2015	1SS133-T2	SI DIODE		
D2112	1SS133-T2	SI DIODE		
D2113	RB161L-40-X	SB DIODE		
D2114	MTZJ10B-T2	Z DIODE		
D2115	1SS133-T2	SI DIODE		

△ Symbol No.	Part No.	Part Name	Description	Local
D2116	1SS133-T2	SI DIODE		
D2212	1SS133-T2	SI DIODE		
D2213	RB161L-40-X	SB DIODE		
D2231	MTZJ5.1B-T2	Z DIODE		
D2301	MTZJ5.1B-T2	Z DIODE		
D2302	1SS133-T2	SI DIODE		
D2403	MTZJ15B-T2	Z DIODE		
D2404	MTZJ5.1B-T2	Z DIODE		
D2405	MTZJ8.2B-T2	Z DIODE		
D2406	MTZJ12B-T2	Z DIODE		
D2407	1SS133-T2	SI DIODE		
D2408	MTZJ24B-T2	Z DIODE		
D2421	MTZJ24B-T2	Z DIODE		
D2422	MA111-X	SI DIODE		
D2503	MTZJ5.1B-T2	Z DIODE		
D2601	1SS133-T2	SI DIODE		
D2701	MTZJ5.1A-T2	Z DIODE		
D2801	MTZJ5.1C-T2	Z DIODE		
D2802	1SS133-T2	SI DIODE		
D4371	1SS133-T2	SI DIODE		
D4372	MTZJ5.1A-T2	Z DIODE		
D8001	SLR-343VC/NPQ-T	LED		
C2001	NCB31CK-683X	C CAPACITOR	0.068uF 16V K	
C2002	NCB31HK-471X	C CAPACITOR	470pF 50V K	
C2003	NCB31HK-471X	C CAPACITOR	470pF 50V K	
C2004	QETN1HM-106Z	E CAPACITOR	10uF 50V M	
C2011	NCB31CK-333X	C CAPACITOR	0.033uF 16V K	
C2012	QETN1CM-477Z	E CAPACITOR	470uF 16V M	
C2013	NCB31CK-103X	C CAPACITOR	0.01uF 16V K	
C2103	NCB31HK-102X	C CAPACITOR	1000pF 50V K	
C2104	QETN1HM-106Z	E CAPACITOR	10uF 50V M	
C2111	NCB31CK-333X	C CAPACITOR	0.033uF 16V K	
C2112	QETN1CM-477Z	E CAPACITOR	470uF 16V M	
C2113	NCB31CK-103X	C CAPACITOR	0.01uF 16V K	
C2203	NCB31HK-102X	C CAPACITOR	1000pF 50V K	
C2204	QETN1HM-106Z	E CAPACITOR	10uF 50V M	
C2211	NCB31CK-333X	C CAPACITOR	0.033uF 16V K	
C2212	QETN1CM-227Z	E CAPACITOR	220uF 16V M	
C2231	QETN0JM-108Z	E CAPACITOR	1000uF 6.3V M	
C2301	NCB31HK-102X	C CAPACITOR	1000pF 50V K	
C2302	NCB31CK-683X	C CAPACITOR	0.068uF 16V K	
C2303	NDC31HJ-391X	C CAPACITOR	390pF 50V J	
C2304	NCB31HK-331X	C CAPACITOR	330pF 50V K	
C2402	QER61EM-476Z	E CAPACITOR	47uF 25V M	
C2404	QEZ0536-828	E CAPACITOR	8200uF	
C2406	NCB31CK-333X	C CAPACITOR	0.033uF 16V K	
C2407	QTE1E06-476Z	E CAPACITOR	47uF 25V	
C2408	QFG32AJ-473	PP CAPACITOR	0.047uF 100V J	
C2409	QTE1E06-476Z	E CAPACITOR	47uF 25V	
C2421	QETN1EM-227Z	E CAPACITOR	220uF 25V M	
C2422	QETN1HM-226Z	E CAPACITOR	22uF 50V M	
C2423	QETN1HM-226Z	E CAPACITOR	22uF 50V M	
C2503	QETN1CM-477Z	E CAPACITOR	470uF 16V M	
C2701	NCB31HK-103X	C CAPACITOR	0.01uF 50V K	
C2711	QTE1E06-476Z	E CAPACITOR	47uF 25V	
C2712	QETN1EM-475Z	E CAPACITOR	4.7uF 25V M	
C2713	QTE1E06-476Z	E CAPACITOR	47uF 25V	
C2714	QTE1E06-476Z	E CAPACITOR	47uF 25V	
C2801	NCB31HK-103X	C CAPACITOR	0.01uF 50V K	
C2802	NCB31HK-103X	C CAPACITOR	0.01uF 50V K	
C2803	QETN1EM-476Z	E CAPACITOR	47uF 25V M	
C2805	QETN1EM-476Z	E CAPACITOR	47uF 25V M	
C4125	NCB31HK-221X	C CAPACITOR	220pF 50V K	
C4126	NCB31HJ-221X	C CAPACITOR	220pF 50V J	
C4131	QFG32AJ-102Z	PP CAPACITOR	1000pF 100V J	
C4132	QFG32AJ-122Z	PP CAPACITOR	1200pF 100V J	
C4134	QTE1E06-226Z	E CAPACITOR	22uF 25V	
C4151	QTE1V06-106Z	E CAPACITOR	10uF 35V	
C4153	QFG32AJ-222Z	PP CAPACITOR	2200pF 100V J	
C4154	QFVF1HJ-104Z	MF CAPACITOR	0.1uF 50V J	
C4155	QFVF1HJ-104Z	MF CAPACITOR	0.1uF 50V J	
C4156	QTE1H15-106Z	E CAPACITOR	10uF 50V	
C4157	QETN1HM-106Z	E CAPACITOR	10uF 50V M	
C4158	QETN1HM-106Z	E CAPACITOR	10uF 50V M	
C4159	QETN1HM-106Z	E CAPACITOR	10uF 50V M	



△ Symbol No.	Part No.	Part Name	Description	Local	△ Symbol No.	Part No.	Part Name	Description	Local
C4172	QFVF1HJ-474Z	MF CAPACITOR	0.47uF 50V J		R2015	NRSA63J-470X	MG RESISTOR	47Ω 1/16W J	
C4173	QFZ0217-473	PP CAPACITOR	0.047uF		R2016	NRSA63J-221X	MG RESISTOR	220Ω 1/16W J	
C4174	QFZ0217-473	PP CAPACITOR	0.047uF		R2017	NRSA63J-222X	MG RESISTOR	2.2kΩ 1/16W J	
C4175	QTE1V06-106Z	E CAPACITOR	10uF 35V		R2018	NRSA63J-222X	MG RESISTOR	2.2kΩ 1/16W J	
C4191	QTE1V06-106Z	E CAPACITOR	10uF 35V		R2019	NRSA63J-103X	MG RESISTOR	10kΩ 1/16W J	
C4192	QTE1V06-106Z	E CAPACITOR	10uF 35V		R2104	NRSA63J-103X	MG RESISTOR	10kΩ 1/16W J	
C4225	NCB31HK-221X	C CAPACITOR	220pF 50V K		R2105	NRSA63J-103X	MG RESISTOR	10kΩ 1/16W J	
C4226	NCB31HJ-221X	C CAPACITOR	220pF 50V J		R2108	NRSA63J-682X	MG RESISTOR	6.8kΩ 1/16W J	
C4231	QFG32AJ-102Z	PP CAPACITOR	1000pF 100V J		R2112	NRSA63J-101X	MG RESISTOR	100Ω 1/16W J	
C4232	QFG32AJ-122Z	PP CAPACITOR	1200pF 100V J		R2113	NRSA63J-472X	MG RESISTOR	4.7kΩ 1/16W J	
C4234	QTE1E06-226Z	E CAPACITOR	22uF 25V		R2114	NRSA63J-101X	MG RESISTOR	100Ω 1/16W J	
C4251	QTE1V06-106Z	E CAPACITOR	10uF 35V		R2115	NRSA63J-470X	MG RESISTOR	47Ω 1/16W J	
C4253	QFG32AJ-222Z	PP CAPACITOR	2200pF 100V J		R2116	NRSA63J-221X	MG RESISTOR	220Ω 1/16W J	
C4254	QFVF1HJ-104Z	MF CAPACITOR	0.1uF 50V J		R2117	NRSA63J-222X	MG RESISTOR	2.2kΩ 1/16W J	
C4255	QFVF1HJ-104Z	MF CAPACITOR	0.1uF 50V J		R2118	NRSA63J-222X	MG RESISTOR	2.2kΩ 1/16W J	
C4256	QTE1H15-106Z	E CAPACITOR	10uF 50V		R2119	NRSA63J-224X	MG RESISTOR	220kΩ 1/16W J	
C4257	QETN1HM-106Z	E CAPACITOR	10uF 50V M		R2204	NRSA63J-103X	MG RESISTOR	10kΩ 1/16W J	
C4258	QETN1HM-106Z	E CAPACITOR	10uF 50V M		R2205	NRSA63J-103X	MG RESISTOR	10kΩ 1/16W J	
C4259	QETN1HM-106Z	E CAPACITOR	10uF 50V M		R2206	NRSA63J-123X	MG RESISTOR	12kΩ 1/16W J	
C4272	QFVF1HJ-474Z	MF CAPACITOR	0.47uF 50V J		R2207	NRSA63J-273X	MG RESISTOR	27kΩ 1/16W J	
C4273	QFZ0217-473	PP CAPACITOR	0.047uF		R2212	NRSA63J-101X	MG RESISTOR	100Ω 1/16W J	
C4274	QFZ0217-473	PP CAPACITOR	0.047uF		R2213	NRSA63J-222X	MG RESISTOR	2.2kΩ 1/16W J	
C4275	QTE1V06-106Z	E CAPACITOR	10uF 35V		R2214	NRSA63J-101X	MG RESISTOR	100Ω 1/16W J	
C4291	QTE1V06-226Z	E CAPACITOR	22uF 35V		R2215	NRSA63J-470X	MG RESISTOR	47Ω 1/16W J	
C4292	QTE1V06-106Z	E CAPACITOR	10uF 35V		R2216	NRSA63J-471X	MG RESISTOR	470Ω 1/16W J	
C4312	QETN1HM-106Z	E CAPACITOR	10uF 50V M		R2217	NRSA63J-472X	MG RESISTOR	4.7kΩ 1/16W J	
C4313	NCB31CK-104X	C CAPACITOR	0.1uF 16V K		R2218	NRSA63J-223X	MG RESISTOR	22kΩ 1/16W J	
C4314	NCB31CK-104X	C CAPACITOR	0.1uF 16V K		R2219	NRSA63J-273X	MG RESISTOR	27kΩ 1/16W J	
C4315	NCF21CZ-105X	C CAPACITOR	1uF 16V Z		R2301	NRSA63J-105X	MG RESISTOR	1MΩ 1/16W J	
C4316	NCB31CK-103X	C CAPACITOR	0.01uF 16V K		R2302	NRSA63J-103X	MG RESISTOR	10kΩ 1/16W J	
C4317	NCB31CK-103X	C CAPACITOR	0.01uF 16V K		R2303	NRSA63J-101X	MG RESISTOR	100Ω 1/16W J	
C4331	QETN1EM-107Z	E CAPACITOR	100uF 25V M		R2305	NRSA63J-363X	MG RESISTOR	36kΩ 1/16W J	
C4332	QTE1E06-476Z	E CAPACITOR	47uF 25V		R2306	NRSA63J-104X	MG RESISTOR	100kΩ 1/16W J	
C4333	QCZ0202-155Z	C CAPACITOR	1.5uF 25V Z		R2307	NRSA63J-104X	MG RESISTOR	100kΩ 1/16W J	
C4351	QETN1CM-107Z	E CAPACITOR	100uF 16V M		R2308	NRSA63J-203X	MG RESISTOR	20kΩ 1/16W J	
C4352	QETN1HM-476Z	E CAPACITOR	47uF 50V M		R2311	NRSA63J-105X	MG RESISTOR	1MΩ 1/16W J	
C4353	QFVF1HJ-334Z	MF CAPACITOR	0.33uF 50V J		R2312	NRSA63J-103X	MG RESISTOR	10kΩ 1/16W J	
C4359	QETN1CM-476Z	E CAPACITOR	47uF 16V M		R2313	NRSA63J-104X	MG RESISTOR	100kΩ 1/16W J	
C4371	QETN1CM-107Z	E CAPACITOR	100uF 16V M		R2314	NRSA63J-104X	MG RESISTOR	100kΩ 1/16W J	
C4372	QETN1HM-106Z	E CAPACITOR	10uF 50V M		R2315	NRSA63J-183X	MG RESISTOR	18kΩ 1/16W J	
C4373	QETN1HM-105Z	E CAPACITOR	1uF 50V M		R2316	NRSA63J-473X	MG RESISTOR	47kΩ 1/16W J	
C4374	QTE1C05-227	E CAPACITOR	220uF 16V		R2317	NRSA63J-103X	MG RESISTOR	10kΩ 1/16W J	
C4391	QETN1CM-227Z	E CAPACITOR	220uF 16V M		R2402	NRSA63J-473X	MG RESISTOR	47kΩ 1/16W J	
C4392	QETN1EM-476Z	E CAPACITOR	47uF 25V M		R2403	NRSA63J-563X	MG RESISTOR	56kΩ 1/16W J	
C6031	NCS31HJ-181X	C CAPACITOR	180pF 50V J		R2404	NRSA63J-103X	MG RESISTOR	10kΩ 1/16W J	
C6032	NCB31HK-181X	C CAPACITOR	180pF 50V K		R2405	NRSA63J-103X	MG RESISTOR	10kΩ 1/16W J	
C6033	NCB31HK-181X	C CAPACITOR	180pF 50V K		R2406	NRSA63J-333X	MG RESISTOR	33kΩ 1/16W J	
C6034	NCB31HK-181X	C CAPACITOR	180pF 50V K		R2407	QRE141J-391Y	C RESISTOR	390Ω 1/4W J	
C6035	QETN0JM-477Z	E CAPACITOR	470uF 6.3V M		R2411	QRT01DJ-R47X-M	MF RESISTOR	0.47Ω 1W J	
C6036	QETN0JM-477Z	E CAPACITOR	470uF 6.3V M		R2412	NRSA63J-472X	MG RESISTOR	4.7kΩ 1/16W J	
C6037	NCB31HK-103X	C CAPACITOR	0.01uF 50V K		R2413	NRSA63J-224X	MG RESISTOR	220kΩ 1/16W J	
C6038	QETN0JM-477Z	E CAPACITOR	470uF 6.3V M		R2416	QRE141J-102Y	C RESISTOR	1kΩ 1/4W J	
C6039	QETN0JM-477Z	E CAPACITOR	470uF 6.3V M		R2421	NRSA63J-273X	MG RESISTOR	27kΩ 1/16W J	
C6040	NCB31HK-103X	C CAPACITOR	0.01uF 50V K		R2422	NRSA63J-103X	MG RESISTOR	10kΩ 1/16W J	
C8001	NCB31HK-102X	C CAPACITOR	1000pF 50V K		R2423	NRSA63J-432X	MG RESISTOR	4.3kΩ 1/16W J	
C8002	QER61CM-226Z	E CAPACITOR	22uF 16V M		R2441	NRSA63J-103X	MG RESISTOR	10kΩ 1/16W J	
C8101	NCF21HZ-104X	C CAPACITOR	0.1uF 50V Z		R2442	NRSA63J-103X	MG RESISTOR	10kΩ 1/16W J	
C8103	NCS31HJ-101X	C CAPACITOR	100pF 50V J		R2443	NRSA63J-472X	MG RESISTOR	4.7kΩ 1/16W J	
C8104	QER61CM-107Z	E CAPACITOR	100uF 16V M		R2444	NRSA63J-103X	MG RESISTOR	10kΩ 1/16W J	
C8105	NCB31EK-104X	C CAPACITOR	0.1uF 25V K		R2445	NRSA63J-102X	MG RESISTOR	1kΩ 1/16W J	
C8106	NCB31EK-104X	C CAPACITOR	0.1uF 25V K		R2446	NRSA63J-223X	MG RESISTOR	22kΩ 1/16W J	
C8107	NCS31HJ-101X	C CAPACITOR	100pF 50V J		R2447	NRSA63J-104X	MG RESISTOR	100kΩ 1/16W J	
C8108	NCS31HJ-101X	C CAPACITOR	100pF 50V J		R2448	NRSA63J-103X	MG RESISTOR	10kΩ 1/16W J	
C8109	NCS31HJ-101X	C CAPACITOR	100pF 50V J		R2449	NRSA63J-103X	MG RESISTOR	10kΩ 1/16W J	
					R2450	NRSA63J-103X	MG RESISTOR	10kΩ 1/16W J	
R2001	NRSA63J-225X	MG RESISTOR	2.2MΩ 1/16W J		R2505	NRSA63J-512X	MG RESISTOR	5.1kΩ 1/16W J	
R2002	NRSA63J-223X	MG RESISTOR	22kΩ 1/16W J		R2506	NRSA63J-153X	MG RESISTOR	15kΩ 1/16W J	
R2003	NRSA63J-101X	MG RESISTOR	100Ω 1/16W J		R2602	NRSA63J-183X	MG RESISTOR	18kΩ 1/16W J	
R2004	NRSA63J-822X	MG RESISTOR	8.2kΩ 1/16W J		R2603	NRSA63J-183X	MG RESISTOR	18kΩ 1/16W J	
R2005	NRSA63J-103X	MG RESISTOR	10kΩ 1/16W J		R2604	NRSA63J-332X	MG RESISTOR	3.3kΩ 1/16W J	
R2006	NRSA63J-103X	MG RESISTOR	10kΩ 1/16W J		R2701	NRSA63J-471X	MG RESISTOR	470Ω 1/16W J	
R2007	NRSA63J-123X	MG RESISTOR	12kΩ 1/16W J		R2705	NRSA63J-103X	MG RESISTOR	10kΩ 1/16W J	
R2008	NRSA63J-273X	MG RESISTOR	27kΩ 1/16W J		R2706	NRSA63J-392X	MG RESISTOR	3.9kΩ 1/16W J	
R2009	NRSA63J-102X	MG RESISTOR	1kΩ 1/16W J		R2712	NRSA63J-222X	MG RESISTOR	2.2kΩ 1/16W J	
R2010	NRSA63J-102X	MG RESISTOR	1kΩ 1/16W J		R2715	NRSA63J-103X	MG RESISTOR	10kΩ 1/16W J	
R2012	NRSA63J-101X	MG RESISTOR	100Ω 1/16W J		R2716	NRSA63J-103X	MG RESISTOR	10kΩ 1/16W J	
R2013	NRSA63J-472X	MG RESISTOR	4.7kΩ 1/16W J		R2723	QRE141J-221Y	C RESISTOR	220Ω 1/4W J	
R2014	NRSA63J-101X	MG RESISTOR	100Ω 1/16W J		R2801	NRSA63J-104X	MG RESISTOR	100kΩ 1/16W J	

△ Symbol No.	Part No.	Part Name	Description	Local	△ Symbol No.	Part No.	Part Name	Description	Local
R2802	NRSA63J-473X	MG RESISTOR	47kΩ 1/16W J		R4373	NRSA63J-103X	MG RESISTOR	10kΩ 1/16W J	
R2803	NRSA63J-103X	MG RESISTOR	10kΩ 1/16W J		R4374	NRSA63J-103X	MG RESISTOR	10kΩ 1/16W J	
R2804	QRE141J-101Y	C RESISTOR	100Ω 1/4W J		R4375	NRSA63J-271X	MG RESISTOR	270Ω 1/16W J	
R2805	NRSA63J-561X	MG RESISTOR	560Ω 1/16W J		R4376	NRSA63J-104X	MG RESISTOR	100kΩ 1/16W J	
R2806	NRSA63J-331X	MG RESISTOR	330Ω 1/16W J		R4377	NRSA63J-152X	MG RESISTOR	1.5kΩ 1/16W J	
R2807	NRSA63J-562X	MG RESISTOR	5.6kΩ 1/16W J		R4391	QRE141J-101Y	C RESISTOR	100Ω 1/4W J	
R2808	NRSA63J-222X	MG RESISTOR	2.2kΩ 1/16W J		R4392	NRSA63J-152X	MG RESISTOR	1.5kΩ 1/16W J	
R2811	NRSA63J-103X	MG RESISTOR	10kΩ 1/16W J		R4393	NRSA63J-0R0X	MG RESISTOR	0Ω 1/16W J	
R2812	NRSA63J-123X	MG RESISTOR	12kΩ 1/16W J		R4394	NRSA63J-153X	MG RESISTOR	15kΩ 1/16W J	
R4121	NRSA63J-473X	MG RESISTOR	47kΩ 1/16W J		R4395	NRSA63J-222X	MG RESISTOR	2.2kΩ 1/16W J	
R4125	NRSA63J-153X	MG RESISTOR	15kΩ 1/16W J		R4396	NRSA63J-222X	MG RESISTOR	2.2kΩ 1/16W J	
R4126	NRSA63J-124X	MG RESISTOR	120kΩ 1/16W J		R4397	NRSA63J-122X	MG RESISTOR	1.2kΩ 1/16W J	
R4131	NRSA63J-152X	MG RESISTOR	1.5kΩ 1/16W J		R4398	NRSA63J-473X	MG RESISTOR	47kΩ 1/16W J	
R4133	NRSA63D-472X	MG RESISTOR	4.7kΩ 1/16W D		R6031	NRSA63J-151X	MG RESISTOR	150Ω 1/16W J	
R4134	NRSA63J-182X	MG RESISTOR	1.8kΩ 1/16W J		R6032	NRSA63J-151X	MG RESISTOR	150Ω 1/16W J	
R4135	NRSA63J-183X	MG RESISTOR	18kΩ 1/16W J		R6033	NRSA63J-104X	MG RESISTOR	100kΩ 1/16W J	
R4136	NRSA63J-103X	MG RESISTOR	10kΩ 1/16W J		R6034	NRSA63J-750X	MG RESISTOR	75Ω 1/16W J	
R4137	NRSA63J-562X	MG RESISTOR	5.6kΩ 1/16W J		R6035	NRSA63J-101X	MG RESISTOR	100Ω 1/16W J	
R4138	NRSA63J-273X	MG RESISTOR	27kΩ 1/16W J		R6036	NRSA63J-103X	MG RESISTOR	10kΩ 1/16W J	
R4150	NRSA63J-0R0X	MG RESISTOR	0Ω 1/16W J		R6037	NRSA63J-750X	MG RESISTOR	75Ω 1/16W J	
R4151	NRSA63J-682X	MG RESISTOR	6.8kΩ 1/16W J		R6038	NRSA63J-750X	MG RESISTOR	75Ω 1/16W J	
R4152	NRSA63J-183X	MG RESISTOR	18kΩ 1/16W J		R6039	NRSA63J-750X	MG RESISTOR	75Ω 1/16W J	
R4153	NRSA63J-394X	MG RESISTOR	390kΩ 1/16W J		R8001	NRSA63J-561X	MG RESISTOR	560Ω 1/16W J	
R4154	NRSA63J-562X	MG RESISTOR	5.6kΩ 1/16W J		R8101	QRE141J-2R2Y	C RESISTOR	2.2Ω 1/4W J	
R4171	NRSA63J-182X	MG RESISTOR	1.8kΩ 1/16W J		R8201	NRSA63J-332X	MG RESISTOR	3.3kΩ 1/16W J	
R4172	NRSA63J-224X	MG RESISTOR	220kΩ 1/16W J		R8202	NRSA63J-272X	MG RESISTOR	2.7kΩ 1/16W J	
R4173	NRSA63J-182X	MG RESISTOR	1.8kΩ 1/16W J		R8203	NRSA63J-392X	MG RESISTOR	3.9kΩ 1/16W J	
R4174	NRSA63J-122X	MG RESISTOR	1.2kΩ 1/16W J		R8204	NRSA63J-332X	MG RESISTOR	3.3kΩ 1/16W J	
R4175	NRSA63J-273X	MG RESISTOR	27kΩ 1/16W J		R8205	NRSA63J-222X	MG RESISTOR	2.2kΩ 1/16W J	
R4176	NRSA63J-123X	MG RESISTOR	12kΩ 1/16W J		L2001	QQL28AK-470	CHOKE COIL	47uH K	
R4177	NRSA63J-473X	MG RESISTOR	47kΩ 1/16W J		L2101	QQL28AK-470	CHOKE COIL	47uH K	
R4178	NRSA63J-332X	MG RESISTOR	3.3kΩ 1/16W J		L2201	QQL28AK-470	CHOKE COIL	47uH K	
R4179	NRSA63J-102X	MG RESISTOR	1kΩ 1/16W J		L2231	QQL70AK-150	DUCTOR	15uH K	
R4181	NRSA63J-332X	MG RESISTOR	3.3kΩ 1/16W J		L2401	QQLZ003-1R0	COIL	1uH	
R4191	NRSA63J-102X	MG RESISTOR	1kΩ 1/16W J		L2501	QQL70AK-470	COIL	47uH K	
R4192	NRSA63J-223X	MG RESISTOR	22kΩ 1/16W J		CN201	QGA3901F1-04	CONNECTOR	W-B (1-4)	
R4193	NRSA63J-222X	MG RESISTOR	2.2kΩ 1/16W J		CN202	QGF1205F1-21	CONNECTOR	FFC/FPC (1-21)	
R4221	NRSA63J-473X	MG RESISTOR	47kΩ 1/16W J		CN204	QGF1016F3-19	CONNECTOR	FFC/FPC (1-19)	
R4225	NRSA63J-153X	MG RESISTOR	15kΩ 1/16W J		CN205	QGA2501F1-03	CONNECTOR	W-B (1-3)	
R4226	NRSA63J-124X	MG RESISTOR	120kΩ 1/16W J		CN401	QGA2501F1-07	CONNECTOR	W-B (1-7)	
R4231	NRSA63J-152X	MG RESISTOR	1.5kΩ 1/16W J		CN602	QGF1205C1-13	CONNECTOR	FFC/FPC (1-13)	
R4233	NRSA63D-472X	MG RESISTOR	4.7kΩ 1/16W D		CN804	QGB1216K1-18S	CONNECTOR	B-B (1-18)	
R4234	NRSA63J-182X	MG RESISTOR	1.8kΩ 1/16W J		△ CP221	ICP-S2.3-X	IC PROTECTOR	2.3A	
R4235	NRSA63J-183X	MG RESISTOR	18kΩ 1/16W J		DI811	QLF0125-001	FL TUBE		
R4236	NRSA63J-103X	MG RESISTOR	10kΩ 1/16W J		FT241	QNG0003-001Z	FUSE CLIP		
R4237	NRSA63J-562X	MG RESISTOR	5.6kΩ 1/16W J		FT242	QNG0003-001Z	FUSE CLIP		
R4238	NRSA63J-273X	MG RESISTOR	27kΩ 1/16W J		J4101	QNN0585-001	PIN JACK		
R4250	NRSA63J-0R0X	MG RESISTOR	0Ω 1/16W J		J6001	QNZ0625-001	RGB CONNECTOR		
R4251	NRSA63J-682X	MG RESISTOR	6.8kΩ 1/16W J		JS801	QSW1042-001	ROTARY ENCODER		
R4252	NRSA63J-183X	MG RESISTOR	18kΩ 1/16W J		K4302	QQR0621-001Z	FERRATE BEADS		
R4253	NRSA63J-394X	MG RESISTOR	390kΩ 1/16W J		S6052	QSW0454-001	SW		
R4254	NRSA63J-562X	MG RESISTOR	5.6kΩ 1/16W J		S8201	QSW0683-001Z	PUSH SW		
R4271	NRSA63J-182X	MG RESISTOR	1.8kΩ 1/16W J		S8202	QSW0683-001Z	PUSH SW		
R4272	NRSA63J-224X	MG RESISTOR	220kΩ 1/16W J		S8203	QSW0683-001Z	PUSH SW		
R4273	NRSA63J-182X	MG RESISTOR	1.8kΩ 1/16W J		S8204	QSW0683-001Z	PUSH SW		
R4274	NRSA63J-122X	MG RESISTOR	1.2kΩ 1/16W J		S8205	QSW0683-001Z	PUSH SW		
R4275	NRSA63J-273X	MG RESISTOR	27kΩ 1/16W J		S8206	QSW0683-001Z	PUSH SW		
R4276	NRSA63J-123X	MG RESISTOR	12kΩ 1/16W J		S8207	QSW0683-001Z	PUSH SW		
R4277	NRSA63J-473X	MG RESISTOR	47kΩ 1/16W J		S8208	QSW0683-001Z	PUSH SW		
R4278	NRSA63J-332X	MG RESISTOR	3.3kΩ 1/16W J		TH261	NAD0025-333X	N THERMISTOR	33kΩ	
R4279	NRSA63J-102X	MG RESISTOR	1kΩ 1/16W J		TP201	QNZ0104-001	POST PIN		
R4281	NRSA63J-332X	MG RESISTOR	3.3kΩ 1/16W J		TP202	QNZ0104-001	POST PIN		
R4291	NRSA63J-102X	MG RESISTOR	1kΩ 1/16W J		WC201	QZW0112-002	WIRE CLAMP		
R4292	NRSA63J-223X	MG RESISTOR	22kΩ 1/16W J						
R4293	NRSA63J-222X	MG RESISTOR	2.2kΩ 1/16W J						
R4311	NRSA63J-102X	MG RESISTOR	1kΩ 1/16W J						
R4312	NRSA63J-102X	MG RESISTOR	1kΩ 1/16W J						
R4313	NRSA63J-222X	MG RESISTOR	2.2kΩ 1/16W J						
R4314	NRSA63J-223X	MG RESISTOR	22kΩ 1/16W J						
R4315	NRSA63J-473X	MG RESISTOR	47kΩ 1/16W J						
R4331	QRE141J-101Y	C RESISTOR	100Ω 1/4W J						
R4332	NRSA63J-822X	MG RESISTOR	8.2kΩ 1/16W J						
R4333	NRSA63J-562X	MG RESISTOR	5.6kΩ 1/16W J						
R4351	QRE141J-101Y	C RESISTOR	100Ω 1/4W J						
R4358	NRSA63J-471X	MG RESISTOR	470Ω 1/16W J						
R4359	QRZ9006-4R7X	F.RESISTOR	4.7Ω 1/4W J						
R4371	QRE141J-101Y	C RESISTOR	100Ω 1/4W J						
R4372	NRSA63J-513X	MG RESISTOR	51kΩ 1/16W J						

# Micom board

Block No. [0][2]

Symbol No.	Part No.	Part Name	Description	Local
IC401	NJM4565M-W	IC		
IC601	MM1623XF-X	IC		
IC602	SN74AHCT08NS-X	IC		
IC603	SN74LVC08ANS-X	IC		
IC611	GP1FAV30TK0F	OPT TRANSMITTER		
IC701	UPD784217AGF546	IC(ROM MICOM)		
IC711	BR24L02F-W-X	IC		
IC751	LB1641	IC		
IC761	SAA6588T/V2-X	IC		
Q4101	2SC3661-X	TRANSISTOR		
Q4102	2SC3661-X	TRANSISTOR		
Q4201	2SC3661-X	TRANSISTOR		
Q4202	2SC3661-X	TRANSISTOR		
Q4301	UN211L-X	TRANSISTOR		
Q6052	UN2214-X	TRANSISTOR		
Q6053	UN2113-X	DIGI TRANSISTOR		
Q6054	UN2214-X	TRANSISTOR		
Q7301	2SA1530A/QR/-X	TRANSISTOR		
Q7302	2SC3928A/QR/-X	TRANSISTOR		
Q7401	UN2214-X	TRANSISTOR		
Q7511	UN2213-X	DIGI TRANSISTOR		
Q7512	UN2213-X	DIGI TRANSISTOR		
Q7513	UN2213-X	DIGI TRANSISTOR		
Q7514	2SA1530A/QR/-X	TRANSISTOR		
Q7601	UN2111-X	TRANSISTOR		
Q7602	UN2211-X	TRANSISTOR		
Q7701	UN2111-X	TRANSISTOR		
Q7702	2SC3928A/QR/-X	TRANSISTOR		
Q7712	UN2211-X	TRANSISTOR		
Q7713	2SC3928A/QR/-X	TRANSISTOR		
Q7801	KTC3195/O/-T	TRANSISTOR		
Q7802	KTC3195/O/-T	TRANSISTOR		
D6091	MTZJ6.2C-T2	Z DIODE		
D7001	MA111-X	SI DIODE		
D7301	1SS133-T2	SI DIODE		
D7302	MTZJ5.1B-T2	Z DIODE		
D7401	1SS133-T2	SI DIODE		
D7701	1SS133-T2	SI DIODE		
D7702	MTZJ10B-T2	Z DIODE		
D7703	MTZJ8.2B-T2	Z DIODE		
D7711	1SS133-T2	SI DIODE		
D7713	1SS133-T2	SI DIODE		
D7715	1SS133-T2	SI DIODE		
D7716	1SS133-T2	SI DIODE		
D7717	RB521S-30-X	SB DIODE		
C1181	NCB31HK-221X	C CAPACITOR	220pF 50V K	
C1182	NCB31EK-332X	C CAPACITOR	3300pF 25V K	
C1184	NCB31HK-221X	C CAPACITOR	220pF 50V K	
C1281	NCB31HK-221X	C CAPACITOR	220pF 50V K	
C1282	NCB31EK-332X	C CAPACITOR	3300pF 25V K	
C1284	NCB31HK-221X	C CAPACITOR	220pF 50V K	
C1381	NDC31HJ-101X	C CAPACITOR	100pF 50V J	
C4101	QEKC1AM-227Z	E CAPACITOR	220uF 10V M	
C4102	NCB31HK-221X	C CAPACITOR	220pF 50V K	
C4103	NCB31HK-151X	C CAPACITOR	150pF 50V K	
C4104	QER61HM-475Z	E CAPACITOR	4.7uF 50V M	
C4106	NCB31CK-104X	C CAPACITOR	0.1uF 16V K	
C4201	QEKC1AM-227Z	E CAPACITOR	220uF 10V M	
C4202	NCB31HK-221X	C CAPACITOR	220pF 50V K	
C4203	NCB31HK-151X	C CAPACITOR	150pF 50V K	
C4204	QER61HM-475Z	E CAPACITOR	4.7uF 50V M	
C4206	NCB31CK-104X	C CAPACITOR	0.1uF 16V K	
C4301	QETN1EM-476Z	E CAPACITOR	47uF 25V M	
C4302	QETN1CM-227Z	E CAPACITOR	220uF 16V M	
C4303	QETN1HM-475Z	E CAPACITOR	4.7uF 50V M	
C4304	NCB31CK-104X	C CAPACITOR	0.1uF 16V K	
C4305	NCB31CK-103X	C CAPACITOR	0.01uF 16V K	
C6001	QETN1AM-477Z	E CAPACITOR	470uF 10V M	
C6002	NCF31CZ-104X	C CAPACITOR	0.1uF 16V Z	
C6003	QFV61HJ-104Z	MF CAPACITOR	0.1uF 50V J	
C6004	QFV61HJ-104Z	MF CAPACITOR	0.1uF 50V J	

Symbol No.	Part No.	Part Name	Description	Local
C6005	QFV61HJ-104Z	MF CAPACITOR	0.1uF 50V J	
C6006	QFV61HJ-104Z	MF CAPACITOR	0.1uF 50V J	
C6007	QFV61HJ-104Z	MF CAPACITOR	0.1uF 50V J	
C6008	QER61EM-226Z	E CAPACITOR	22uF 25V M	
C6011	QETN1EM-476Z	E CAPACITOR	47uF 25V M	
C6013	NCB31EK-104X	C CAPACITOR	0.1uF 25V K	
C6014	NCB31EK-104X	C CAPACITOR	0.1uF 25V K	
C6090	NCB31CK-104X	C CAPACITOR	0.1uF 16V K	
C6100	NCB31HK-221X	C CAPACITOR	220pF 50V K	
C6101	NCB31EK-104X	C CAPACITOR	0.1uF 25V K	
C7015	NCB31HK-103X	C CAPACITOR	0.01uF 50V K	
C7024	NCB31HK-103X	C CAPACITOR	0.01uF 50V K	
C7181	QCFB1HZ-105Y	C CAPACITOR	1uF 50V Z	
C7182	QER61CM-107Z	E CAPACITOR	100uF 16V M	
C7190	QETN1HM-105Z	E CAPACITOR	1uF 50V M	
C7191	QETN1HM-105Z	E CAPACITOR	1uF 50V M	
C7275	QER61HM-106Z	E CAPACITOR	10uF 50V M	
C7276	NCB31HK-103X	C CAPACITOR	0.01uF 50V K	
C7301	QETN1HM-106Z	E CAPACITOR	10uF 50V M	
C7302	QETN1HM-475Z	E CAPACITOR	4.7uF 50V M	
C7305	NCB31HK-822X	C CAPACITOR	8200pF 50V K	
C7306	NCB31HK-822X	C CAPACITOR	8200pF 50V K	
C7401	NCB31HK-331X	C CAPACITOR	330pF 50V K	
C7509	QCB1HK-103Y	C CAPACITOR	0.01uF 50V K	
C7511	QCFB1HZ-105Y	C CAPACITOR	1uF 50V Z	
C7512	QETN1CM-337Z	E CAPACITOR	330uF 16V M	
C7513	QETN1CM-226Z	E CAPACITOR	22uF 16V M	
C7601	QETN1HM-106Z	E CAPACITOR	10uF 50V M	
C7602	NCB31HK-561X	C CAPACITOR	560pF 50V K	
C7603	QER61HM-225Z	E CAPACITOR	2.2uF 50V M	
C7604	NCB31HK-331X	C CAPACITOR	330pF 50V K	
C7605	NCB31CK-104X	C CAPACITOR	0.1uF 16V K	
C7606	NDC31HJ-820X	C CAPACITOR	82pF 50V J	
C7607	NDC31HJ-470X	C CAPACITOR	47pF 50V J	
C7608	NCB31CK-473X	C CAPACITOR	0.047uF 16V K	
C7701	QETN1HM-475Z	E CAPACITOR	4.7uF 50V M	
C7703	QETN1CM-107Z	E CAPACITOR	100uF 16V M	
C7711	QETN0JM-228Z	E CAPACITOR	2200uF 6.3V M	
C7712	QER61HM-225Z	E CAPACITOR	2.2uF 50V M	
C7801	NCB31HK-102X	C CAPACITOR	1000pF 50V K	
C7802	NCB31HK-102X	C CAPACITOR	1000pF 50V K	
C7803	NCS31HJ-390X	C CAPACITOR	39pF 50V J	
C7804	NCS31HJ-390X	C CAPACITOR	39pF 50V J	
C7805	NCS31HJ-330X	C CAPACITOR	33pF 50V J	
C7806	NCS31HJ-330X	C CAPACITOR	33pF 50V J	
R4101	QRE141J-102Y	C RESISTOR	1kΩ 1/4W J	
R4102	NRSA63J-222X	MG RESISTOR	2.2kΩ 1/16W J	
R4103	QRE141J-220Y	C RESISTOR	22Ω 1/4W J	
R4105	NRSA63J-103X	MG RESISTOR	10kΩ 1/16W J	
R4106	NRSA63J-473X	MG RESISTOR	47kΩ 1/16W J	
R4107	NRSA63J-272X	MG RESISTOR	2.7kΩ 1/16W J	
R4110	QRE141J-102Y	C RESISTOR	1kΩ 1/4W J	
R4111	NRSA63J-332X	MG RESISTOR	3.3kΩ 1/16W J	
R4112	NRSA63J-332X	MG RESISTOR	3.3kΩ 1/16W J	
R4201	NRSA63J-102X	MG RESISTOR	1kΩ 1/16W J	
R4202	NRSA63J-222X	MG RESISTOR	2.2kΩ 1/16W J	
R4203	QRE141J-220Y	C RESISTOR	22Ω 1/4W J	
R4205	NRSA63J-103X	MG RESISTOR	10kΩ 1/16W J	
R4206	NRSA63J-473X	MG RESISTOR	47kΩ 1/16W J	
R4207	NRSA63J-272X	MG RESISTOR	2.7kΩ 1/16W J	
R4210	NRSA63J-102X	MG RESISTOR	1kΩ 1/16W J	
R4211	NRSA63J-332X	MG RESISTOR	3.3kΩ 1/16W J	
R4212	NRSA63J-332X	MG RESISTOR	3.3kΩ 1/16W J	
R4301	NRSA63J-912X	MG RESISTOR	9.1kΩ 1/16W J	
R4302	NRSA63J-103X	MG RESISTOR	10kΩ 1/16W J	
R4304	NRSA63J-103X	MG RESISTOR	10kΩ 1/16W J	
R4305	QRE141J-102Y	C RESISTOR	1kΩ 1/4W J	
R6001	NRSA63J-331X	MG RESISTOR	330Ω 1/16W J	
R6002	NRSA63J-391X	MG RESISTOR	390Ω 1/16W J	
R6003	NRSA63J-331X	MG RESISTOR	330Ω 1/16W J	
R6004	NRSA63J-361X	MG RESISTOR	360Ω 1/16W J	
R6005	NRSA63J-121X	MG RESISTOR	120Ω 1/16W J	
R6006	NRSA63J-301X	MG RESISTOR	300Ω 1/16W J	
R6007	NRSA63J-121X	MG RESISTOR	120Ω 1/16W J	
R6008	NRSA63J-301X	MG RESISTOR	300Ω 1/16W J	
R6009	NRSA63J-121X	MG RESISTOR	120Ω 1/16W J	
R6010	NRSA63J-301X	MG RESISTOR	300Ω 1/16W J	

△ Symbol No.	Part No.	Part Name	Description	Local	△ Symbol No.	Part No.	Part Name	Description	Local
R6011	QRE141J-101Y	C RESISTOR	100Ω 1/4W J		R7102	NRSA63J-103X	MG RESISTOR	10kΩ 1/16W J	
R6013	QRE141J-101Y	C RESISTOR	100Ω 1/4W J		R7104	NRSA63J-103X	MG RESISTOR	10kΩ 1/16W J	
R6014	QRE141J-101Y	C RESISTOR	100Ω 1/4W J		R7105	NRSA63J-103X	MG RESISTOR	10kΩ 1/16W J	
△ R6015	QRZ9015-2R2X	FUSI RESISTOR	2.2Ω		R7124	NRSA63J-103X	MG RESISTOR	10kΩ 1/16W J	
R6051	QRE141J-431Y	C RESISTOR	430Ω 1/4W J		R7125	NRSA63J-103X	MG RESISTOR	10kΩ 1/16W J	
R6095	NRSA63J-101X	MG RESISTOR	100Ω 1/16W J		R7126	NRSA63J-103X	MG RESISTOR	10kΩ 1/16W J	
R6096	NRSA63J-101X	MG RESISTOR	100Ω 1/16W J		R7140	NRSA63J-103X	MG RESISTOR	10kΩ 1/16W J	
R7001	NRSA63J-222X	MG RESISTOR	2.2kΩ 1/16W J		R7167	NRSA63J-103X	MG RESISTOR	10kΩ 1/16W J	
R7002	NRSA63J-222X	MG RESISTOR	2.2kΩ 1/16W J		R7169	NRSA63J-562X	MG RESISTOR	5.6kΩ 1/16W J	
R7003	NRSA63J-222X	MG RESISTOR	2.2kΩ 1/16W J		R7179	QRE141J-103Y	C RESISTOR	10kΩ 1/4W J	
R7004	NRSA63J-222X	MG RESISTOR	2.2kΩ 1/16W J		R7192	NRSA63J-103X	MG RESISTOR	10kΩ 1/16W J	
R7005	NRSA63J-222X	MG RESISTOR	2.2kΩ 1/16W J		R7193	NRSA63J-103X	MG RESISTOR	10kΩ 1/16W J	
R7006	NRSA63J-222X	MG RESISTOR	2.2kΩ 1/16W J		R7275	QRE141J-101Y	C RESISTOR	100Ω 1/4W J	
R7007	NRSA63J-222X	MG RESISTOR	2.2kΩ 1/16W J		R7276	NRSA63J-104X	MG RESISTOR	100kΩ 1/16W J	
R7008	NRSA63J-222X	MG RESISTOR	2.2kΩ 1/16W J		R7301	NRSA63J-0R0X	MG RESISTOR	0Ω 1/16W J	
R7015	NRSA63J-103X	MG RESISTOR	10kΩ 1/16W J		R7302	NRSA63J-222X	MG RESISTOR	2.2kΩ 1/16W J	
R7017	NRSA63J-102X	MG RESISTOR	1kΩ 1/16W J		R7401	NRSA63J-103X	MG RESISTOR	10kΩ 1/16W J	
R7018	NRSA63J-102X	MG RESISTOR	1kΩ 1/16W J		R7402	NRSA63J-102X	MG RESISTOR	1kΩ 1/16W J	
R7019	NRSA63J-222X	MG RESISTOR	2.2kΩ 1/16W J		R7403	NRSA63J-102X	MG RESISTOR	1kΩ 1/16W J	
R7020	NRSA63J-102X	MG RESISTOR	1kΩ 1/16W J		R7405	NRSA63J-221X	MG RESISTOR	220Ω 1/16W J	
R7021	NRSA63J-222X	MG RESISTOR	2.2kΩ 1/16W J		R7513	NRSA63J-101X	MG RESISTOR	100Ω 1/16W J	
R7022	NRSA63J-222X	MG RESISTOR	2.2kΩ 1/16W J		R7514	NRSA63J-103X	MG RESISTOR	10kΩ 1/16W J	
R7025	NRSA63J-222X	MG RESISTOR	2.2kΩ 1/16W J		R7515	NRSA63J-132X	MG RESISTOR	1.3kΩ 1/16W J	
R7026	NRSA63J-222X	MG RESISTOR	2.2kΩ 1/16W J		R7516	NRSA63J-512X	MG RESISTOR	5.1kΩ 1/16W J	
R7027	NRSA63J-222X	MG RESISTOR	2.2kΩ 1/16W J		△ R7517	QRZ9015-4R7X	FUSI RESISTOR	4.7Ω	
R7028	NRSA63J-222X	MG RESISTOR	2.2kΩ 1/16W J		R7518	NRSA63J-392X	MG RESISTOR	3.9kΩ 1/16W J	
R7029	NRSA63J-222X	MG RESISTOR	2.2kΩ 1/16W J		R7519	NRSA63J-512X	MG RESISTOR	5.1kΩ 1/16W J	
R7030	NRSA63J-222X	MG RESISTOR	2.2kΩ 1/16W J		R7520	NRSA63J-512X	MG RESISTOR	5.1kΩ 1/16W J	
R7031	NRSA63J-222X	MG RESISTOR	2.2kΩ 1/16W J		R7601	NRSA63J-474X	MG RESISTOR	470kΩ 1/16W J	
R7032	NRSA63J-222X	MG RESISTOR	2.2kΩ 1/16W J		R7602	NRSA63J-102X	MG RESISTOR	1kΩ 1/16W J	
R7038	NRSA63J-101X	MG RESISTOR	100Ω 1/16W J		R7603	NRSA63J-103X	MG RESISTOR	10kΩ 1/16W J	
R7039	NRSA63J-101X	MG RESISTOR	100Ω 1/16W J		R7604	NRSA63J-103X	MG RESISTOR	10kΩ 1/16W J	
R7040	NRSA63J-102X	MG RESISTOR	1kΩ 1/16W J		R7605	NRSA63J-102X	MG RESISTOR	1kΩ 1/16W J	
R7041	NRSA63J-222X	MG RESISTOR	2.2kΩ 1/16W J		R7701	NRSA63J-104X	MG RESISTOR	100kΩ 1/16W J	
R7042	NRSA63J-222X	MG RESISTOR	2.2kΩ 1/16W J		R7702	NRSA63J-333X	MG RESISTOR	33kΩ 1/16W J	
R7043	NRSA63J-102X	MG RESISTOR	1kΩ 1/16W J		R7703	NRSA63J-473X	MG RESISTOR	47kΩ 1/16W J	
R7044	NRSA63J-222X	MG RESISTOR	2.2kΩ 1/16W J		R7704	NRSA63J-103X	MG RESISTOR	10kΩ 1/16W J	
R7045	NRSA63J-100X	MG RESISTOR	10Ω 1/16W J		R7711	QRE141J-331Y	C RESISTOR	330Ω 1/4W J	
R7046	NRSA63J-100X	MG RESISTOR	10Ω 1/16W J		R7712	NRSA63J-103X	MG RESISTOR	10kΩ 1/16W J	
R7047	NRSA63J-100X	MG RESISTOR	10Ω 1/16W J		R7715	NRSA63J-104X	MG RESISTOR	100kΩ 1/16W J	
R7048	NRSA63J-222X	MG RESISTOR	2.2kΩ 1/16W J		R7716	NRSA63J-473X	MG RESISTOR	47kΩ 1/16W J	
R7049	NRSA63J-222X	MG RESISTOR	2.2kΩ 1/16W J		△ R7720	QRZ9015-2R2X	FUSI RESISTOR	2.2Ω	
R7050	NRSA63J-222X	MG RESISTOR	2.2kΩ 1/16W J		R7801	NRSA63J-222X	MG RESISTOR	2.2kΩ 1/16W J	
R7051	NRSA63J-222X	MG RESISTOR	2.2kΩ 1/16W J		R7802	NRSA63J-222X	MG RESISTOR	2.2kΩ 1/16W J	
R7052	NRSA63J-104X	MG RESISTOR	100kΩ 1/16W J		R7803	NRSA63J-822X	MG RESISTOR	8.2kΩ 1/16W J	
R7054	NRSA63J-102X	MG RESISTOR	1kΩ 1/16W J		R7804	NRSA63J-822X	MG RESISTOR	8.2kΩ 1/16W J	
R7055	NRSA63J-102X	MG RESISTOR	1kΩ 1/16W J		L1181	QQR0797-002	COIL		
R7056	NRSA63J-222X	MG RESISTOR	2.2kΩ 1/16W J		L1281	QQR0797-002	COIL		
R7058	NRSA63J-222X	MG RESISTOR	2.2kΩ 1/16W J		L6011	QQL244K-4R7Z	COIL	4.7uH K	
R7059	NRSA63J-222X	MG RESISTOR	2.2kΩ 1/16W J		L7024	QQL244K-100Z	COIL	10uH K	
R7060	NRSA63J-222X	MG RESISTOR	2.2kΩ 1/16W J		L7501	QQL244K-100Z	COIL	10uH K	
R7061	NRSA63J-222X	MG RESISTOR	2.2kΩ 1/16W J		L7701	QQL244K-100Z	COIL	10uH K	
R7062	NRSA63J-222X	MG RESISTOR	2.2kΩ 1/16W J		CN601	QGF1205F1-13	CONNECTOR	FFC/FFC (1-13)	
R7063	NRSA63J-222X	MG RESISTOR	2.2kΩ 1/16W J		CN631	QGF1016C1-17	CONNECTOR	FFC/FFC (1-17)	
R7064	NRSA63J-222X	MG RESISTOR	2.2kΩ 1/16W J		CN701	QGF1016C1-05	CONNECTOR	FFC/FFC (1-5)	
R7066	NRSA63J-222X	MG RESISTOR	2.2kΩ 1/16W J		CN704	QGB1216J1-18S	CONNECTOR	B-B (1-18)	
R7067	NRSA63J-222X	MG RESISTOR	2.2kΩ 1/16W J		CN705	QGF1205C1-11	CONNECTOR	FFC/FFC (1-11)	
R7068	NRSA63J-102X	MG RESISTOR	1kΩ 1/16W J		CN706	QGA2501F1-12	CONNECTOR	W-B (1-12)	
R7069	NRSA63J-392X	MG RESISTOR	3.9kΩ 1/16W J		CN707	QGF1205F1-21	CONNECTOR	FFC/FFC (1-21)	
R7070	NRSA63J-222X	MG RESISTOR	2.2kΩ 1/16W J		EP601	QNZ0136-001Z	EARTH PLATE		
R7071	NRSA63J-222X	MG RESISTOR	2.2kΩ 1/16W J		J3001	QNB0186-001	SPK TERMINAL		
R7073	NRSA63J-222X	MG RESISTOR	2.2kΩ 1/16W J		J4001	QNS0223-001	3.5 JACK		
R7074	NRSA63J-222X	MG RESISTOR	2.2kΩ 1/16W J		J6005	QNS0089-001	3.5 JACK		
R7077	NRSA63J-103X	MG RESISTOR	10kΩ 1/16W J		K4101	NQR0007-002X	FERRITE BEADS		
R7078	NRSA63J-222X	MG RESISTOR	2.2kΩ 1/16W J		K4201	NQR0007-002X	FERRITE BEADS		
R7079	NRSA63J-222X	MG RESISTOR	2.2kΩ 1/16W J		K4301	NQR0007-002X	FERRITE BEADS		
R7080	NRSA63J-222X	MG RESISTOR	2.2kΩ 1/16W J		K6001	QQR0621-001Z	FERRITE BEADS		
R7082	NRSA63J-222X	MG RESISTOR	2.2kΩ 1/16W J		K6011	QQR0621-001Z	FERRITE BEADS		
R7084	NRSA63J-102X	MG RESISTOR	1kΩ 1/16W J		K6091	QQR0621-001Z	FERRITE BEADS		
R7086	NRSA63J-102X	MG RESISTOR	1kΩ 1/16W J		K7038	QQR0621-001Z	FERRITE BEADS		
R7087	NRSA63J-0R0X	MG RESISTOR	0Ω 1/16W J		K7039	QQR0621-001Z	FERRITE BEADS		
R7088	NRSA63J-102X	MG RESISTOR	1kΩ 1/16W J		K7275	QQR0621-001Z	FERRITE BEADS		
R7089	NRSA63J-222X	MG RESISTOR	2.2kΩ 1/16W J		K7501	QQR0621-001Z	FERRITE BEADS		
R7090	NRSA63J-101X	MG RESISTOR	100Ω 1/16W J		K7601	QQR0621-001Z	FERRITE BEADS		
R7091	NRSA63J-101X	MG RESISTOR	100Ω 1/16W J		K7701	QQR0621-001Z	FERRITE BEADS		
R7092	NRSA63J-222X	MG RESISTOR	2.2kΩ 1/16W J		WC101	QZW0112-002	WIRE CLAMP		
R7093	NRSA63J-222X	MG RESISTOR	2.2kΩ 1/16W J						
R7094	NRSA63J-103X	MG RESISTOR	10kΩ 1/16W J						

△ Symbol No.	Part No.	Part Name	Description	Local	△ Symbol No.	Part No.	Part Name	Description	Local
X7601	QAX0263-001Z	CRYSTAL	4.332MHz		C1203	NCB31HK-222X	C CAPACITOR	2200pF 50V K	
X7801	QAX0416-001Z	C RESONATOR	8.000MHz		C1204	NCB31HK-471X	C CAPACITOR	470pF 50V K	

## Digital amplifier board

Block No. [0][3]

△ Symbol No.	Part No.	Part Name	Description	Local	△ Symbol No.	Part No.	Part Name	Description	Local
IC111	NJM4580M-X	IC			C1205	QTE1H06-475Z	E CAPACITOR	4.7uF 50V	
IC112	NJU7109F3-X	IC			C1206	QTE1V06-106Z	E CAPACITOR	10uF 35V	
IC113	SN74AHC1G00V-X	IC			C1207	NCB31HK-122X	C CAPACITOR	1200pF 50V K	
IC121	NJM4580M-X	IC			C1208	NCB31HK-331X	C CAPACITOR	330pF 50V K	
IC122	NJU7109F3-X	IC			C1209	NCS31HJ-220X	C CAPACITOR	22pF 50V J	
IC123	SN74AHC1G00V-X	IC			C1210	NCS31HJ-220X	C CAPACITOR	22pF 50V J	
IC131	NJM2115V-W	IC			C1211	NCS31HJ-220X	C CAPACITOR	22pF 50V J	
△ IC132	STA506A-W	IC			C1213	NCB30JK-105X	C CAPACITOR	1uF 6.3V K	
IC301	SN74HCU04ANS-X	IC			C1214	NCB31EK-104X	C CAPACITOR	0.1uF 25V K	
IC302	SN74LV00ANS-X	IC			C1215	NCB31EK-104X	C CAPACITOR	0.1uF 25V K	
△ IC303	NJM78L05A-T	IC			C1218	NCB21HK-104X	C CAPACITOR	0.1uF 50V K	
Q1101	UN211E-X	DIGI TRANSISTOR			C1222	QTE1C06-336Z	E CAPACITOR	33uF 16V	
Q1102	UN211E-X	DIGI TRANSISTOR			C1223	QTE1V06-106Z	E CAPACITOR	10uF 35V	
Q1103	2SC3661-X	TRANSISTOR			C1224	NCS31HJ-101X	C CAPACITOR	100pF 50V J	
Q1104	UMY1N-W	TRANSISTOR			C1225	QFVF1HJ-684Z	MF CAPACITOR	0.68uF 50V J	
Q1201	UN211E-X	DIGI TRANSISTOR			C1226	NCB21HK-104X	C CAPACITOR	0.1uF 50V K	
Q1202	UN211E-X	DIGI TRANSISTOR			C1227	NCB21HK-104X	C CAPACITOR	0.1uF 50V K	
Q1203	2SC3661-X	TRANSISTOR			C1228	NCB21HK-104X	C CAPACITOR	0.1uF 50V K	
Q1204	UMY1N-W	TRANSISTOR			C1229	NCB21HK-104X	C CAPACITOR	0.1uF 50V K	
Q3002	KTA1267/YG/-T	TRANSISTOR			C1230	NCB21HK-104X	C CAPACITOR	0.1uF 50V K	
Q3003	2SC3928A/QR/-X	TRANSISTOR			C1232	NCB31HK-181X	C CAPACITOR	180pF 50V K	
Q3004	2SC3928A/QR/-X	TRANSISTOR			C1233	NCB31HK-471X	C CAPACITOR	470pF 50V K	
Q3005	2SC3928A/QR/-X	TRANSISTOR			C1234	NCB31HK-471X	C CAPACITOR	470pF 50V K	
Q3006	2SA1530A/QR/-X	TRANSISTOR			C1237	NCB21CK-105X	C CAPACITOR	1uF 16V K	
Q3007	UN2112-X	DIGI TRANSISTOR			C1240	NCB31EK-104X	C CAPACITOR	0.1uF 25V K	
D1104	MA152WK-X	SI DIODE			C1241	NCB31HK-102X	C CAPACITOR	1000pF 50V K	
D1203	UDZS6.8B-X	Z DIODE			C1242	NCB31HK-102X	C CAPACITOR	1000pF 50V K	
D3001	MA152WK-X	SI DIODE			C1243	NCB31HK-102X	C CAPACITOR	1000pF 50V K	
D3003	MA152WK-X	SI DIODE			C1244	NCB31HK-102X	C CAPACITOR	1000pF 50V K	
C1101	QTE1V06-106Z	E CAPACITOR	10uF 35V		C1301	NCB30JK-105X	C CAPACITOR	1uF 6.3V K	
C1102	NCB31HK-222X	C CAPACITOR	2200pF 50V K		C1302	NCB31CK-104X	C CAPACITOR	0.1uF 16V K	
C1103	NCB31HK-222X	C CAPACITOR	2200pF 50V K		C1303	NCB31CK-104X	C CAPACITOR	0.1uF 16V K	
C1104	NCB31HK-471X	C CAPACITOR	470pF 50V K		C1304	NCB31CK-104X	C CAPACITOR	0.1uF 16V K	
C1105	QTE1H06-475Z	E CAPACITOR	4.7uF 50V		C1305	NCB31EK-104X	C CAPACITOR	0.1uF 25V K	
C1106	QTE1V06-106Z	E CAPACITOR	10uF 35V		C1306	NCB31EK-104X	C CAPACITOR	0.1uF 25V K	
C1107	NCB31HK-122X	C CAPACITOR	1200pF 50V K		△ C1307	QTMN1EM-477Z	E CAPACITOR	470uF 25V M	
C1108	NCB31HK-331X	C CAPACITOR	330pF 50V K		C1308	QTE1E06-226Z	E CAPACITOR	22uF 25V	
C1109	NCS31HJ-220X	C CAPACITOR	22pF 50V J		C1309	NFV41HJ-333X	MPPS CAPACITOR	0.033uF 50V J	
C1110	NCS31HJ-220X	C CAPACITOR	22pF 50V J		C1310	NCB31CK-104X	C CAPACITOR	0.1uF 16V K	
C1111	NCS31HJ-220X	C CAPACITOR	22pF 50V J		C3002	NDC31HJ-471X	C CAPACITOR	470pF 50V J	
C1113	NCB30JK-105X	C CAPACITOR	1uF 6.3V K		C3003	NDC31HJ-471X	C CAPACITOR	470pF 50V J	
C1114	NCB31EK-104X	C CAPACITOR	0.1uF 25V K		C3004	NDC31HJ-471X	C CAPACITOR	470pF 50V J	
C1115	NCB31EK-104X	C CAPACITOR	0.1uF 25V K		C3005	NDC31HJ-471X	C CAPACITOR	470pF 50V J	
C1118	NCB21HK-104X	C CAPACITOR	0.1uF 50V K		C3006	NCB30JK-105X	C CAPACITOR	1uF 6.3V K	
C1123	QTE1V06-106Z	E CAPACITOR	10uF 35V		C3007	NCB30JK-105X	C CAPACITOR	1uF 6.3V K	
C1124	NCS31HJ-101X	C CAPACITOR	100pF 50V J		C3008	NCB31HK-331X	C CAPACITOR	330pF 50V K	
C1125	QFVF1HJ-684Z	MF CAPACITOR	0.68uF 50V J		C3009	NCB31HK-331X	C CAPACITOR	330pF 50V K	
C1126	NCB21HK-104X	C CAPACITOR	0.1uF 50V K		C3010	NCS31HJ-470X	C CAPACITOR	47pF 50V J	
C1127	NCB21HK-104X	C CAPACITOR	0.1uF 50V K		C3011	NCB31CK-104X	C CAPACITOR	0.1uF 16V K	
C1128	NCB21HK-104X	C CAPACITOR	0.1uF 50V K		C3012	QFVF1HJ-334Z	MF CAPACITOR	0.33uF 50V J	
C1129	NCB21HK-104X	C CAPACITOR	0.1uF 50V K		C3013	QETN1EM-107Z	E CAPACITOR	100uF 25V M	
C1130	NCB21HK-104X	C CAPACITOR	0.1uF 50V K		C3015	QER61HM-106Z	E CAPACITOR	10uF 50V M	
C1132	NCB31HK-181X	C CAPACITOR	180pF 50V K		C3016	QER61HM-106Z	E CAPACITOR	10uF 50V M	
C1133	NCB31HK-471X	C CAPACITOR	470pF 50V K		C3017	QER61HM-106Z	E CAPACITOR	10uF 50V M	
C1134	NCB31HK-471X	C CAPACITOR	470pF 50V K		C3018	QER61HM-106Z	E CAPACITOR	10uF 50V M	
C1137	NCB21CK-105X	C CAPACITOR	1uF 16V K		C3019	QFVF1HJ-474Z	MF CAPACITOR	0.47uF 50V J	
C1140	NCB31EK-104X	C CAPACITOR	0.1uF 25V K		C3020	QFVF1HJ-474Z	MF CAPACITOR	0.47uF 50V J	
C1141	NCB31HK-102X	C CAPACITOR	1000pF 50V K		C3021	QFVF1HJ-474Z	MF CAPACITOR	0.47uF 50V J	
C1142	NCB31HK-102X	C CAPACITOR	1000pF 50V K		C3022	QFVF1HJ-474Z	MF CAPACITOR	0.47uF 50V J	
C1143	NCB31HK-102X	C CAPACITOR	1000pF 50V K		C3025	QER61HM-106Z	E CAPACITOR	10uF 50V M	
C1144	NCB31HK-102X	C CAPACITOR	1000pF 50V K		C3026	NCB31CK-104X	C CAPACITOR	0.1uF 16V K	
C1201	QTE1V06-106Z	E CAPACITOR	10uF 35V		C3027	NCB31CK-104X	C CAPACITOR	0.1uF 16V K	
C1202	NCB31HK-222X	C CAPACITOR	2200pF 50V K		C3031	QTE1V06-106Z	E CAPACITOR	10uF 35V	
					C3034	NCB30JK-105X	C CAPACITOR	1uF 6.3V K	
					R1101	NRSA63J-182X	MG RESISTOR	1.8kΩ 1/16W J	
					R1102	NRSA63J-113X	MG RESISTOR	11kΩ 1/16W J	
					R1103	NRSA63J-821X	MG RESISTOR	820Ω 1/16W J	
					R1104	NRSA63J-103X	MG RESISTOR	10kΩ 1/16W J	
					R1105	NRSA63J-103X	MG RESISTOR	10kΩ 1/16W J	
					R1106	NRSA63J-474X	MG RESISTOR	470kΩ 1/16W J	
					R1107	NRSA63J-103X	MG RESISTOR	10kΩ 1/16W J	
					R1108	NRSA63J-331X	MG RESISTOR	330Ω 1/16W J	
					R1110	NRSA63J-821X	MG RESISTOR	820Ω 1/16W J	
					R1111	NRSA63J-822X	MG RESISTOR	8.2kΩ 1/16W J	
					R1112	NRSA63J-562X	MG RESISTOR	5.6kΩ 1/16W J	



△ Symbol No.	Part No.	Part Name	Description	Local	△ Symbol No.	Part No.	Part Name	Description	Local
C208	NCB31HK-561X	C CAPACITOR	560pF 50V K		C558	NCB31CK-104X	C CAPACITOR	0.1uF 16V K	
C211	NCB31HK-223X	C CAPACITOR	0.022uF 50V K		C559	NCB31CK-104X	C CAPACITOR	0.1uF 16V K	
C212	NCB31CK-103X	C CAPACITOR	0.01uF 16V K		C701	NCB31CK-104X	C CAPACITOR	0.1uF 16V K	
C217	NCB31CK-104X	C CAPACITOR	0.1uF 16V K		C704	NEA70JM-227X	E CAPACITOR	220uF 6.3V M	
C251	NCB31AK-474X	C CAPACITOR	0.47uF 10V K		C706	NEA71CM-106X	E CAPACITOR	10uF 16V M	
C253	NCB31HK-561X	C CAPACITOR	560pF 50V K		C707	NCB31CK-104X	C CAPACITOR	0.1uF 16V K	
C255	NCB31CK-153X	C CAPACITOR	0.015uF 16V K		C721	NCB31HK-102X	C CAPACITOR	1000pF 50V K	
C256	NCB31CK-104X	C CAPACITOR	0.1uF 16V K		C902	NCB31CK-104X	C CAPACITOR	0.1uF 16V K	
C257	NCB31HK-822X	C CAPACITOR	8200pF 50V K		C903	NCB31CK-104X	C CAPACITOR	0.1uF 16V K	
C258	NCB31CK-153X	C CAPACITOR	0.015uF 16V K		C904	NCB31CK-104X	C CAPACITOR	0.1uF 16V K	
C259	NCB31CK-153X	C CAPACITOR	0.015uF 16V K		C906	NCB31CK-104X	C CAPACITOR	0.1uF 16V K	
C260	NCB31EK-223X	C CAPACITOR	0.022uF 25V K						
C261	NCB31EK-223X	C CAPACITOR	0.022uF 25V K		R101	NRSA63J-101X	MG RESISTOR	100Ω 1/16W J	
C262	NCB31EK-223X	C CAPACITOR	0.022uF 25V K		R102	NRSA63J-101X	MG RESISTOR	100Ω 1/16W J	
C264	NEA70JM-227X	E CAPACITOR	220uF 6.3V M		R103	NRSA63J-243X	MG RESISTOR	24kΩ 1/16W J	
C301	NEA70GM-227X	E CAPACITOR	220uF 4V M		R104	NRSA63J-303X	MG RESISTOR	30kΩ 1/16W J	
C302	NEA70GM-476X	E CAPACITOR	47uF 4V M		R105	NRS125J-180X	MG RESISTOR	18Ω 1/2W J	
C303	NEA70GM-476X	E CAPACITOR	47uF 4V M		R106	NRSA63J-2R2X	MG RESISTOR	2.2Ω 1/16W J	
C304	NCB31CK-105X	C CAPACITOR	1uF 16V K		R107	NRSA63J-102X	MG RESISTOR	1kΩ 1/16W J	
C305	NCB31CK-104X	C CAPACITOR	0.1uF 16V K		R108	NRSA63J-471X	MG RESISTOR	470Ω 1/16W J	
C306	NCB31CK-104X	C CAPACITOR	0.1uF 16V K		R109	NRSA63J-331X	MG RESISTOR	330Ω 1/16W J	
C307	NCB31CK-104X	C CAPACITOR	0.1uF 16V K		R110	NRSA63J-0R0X	MG RESISTOR	0Ω 1/16W J	
C308	NCB31CK-104X	C CAPACITOR	0.1uF 16V K		R111	NRSA63J-243X	MG RESISTOR	24kΩ 1/16W J	
C309	NCB31CK-104X	C CAPACITOR	0.1uF 16V K		R112	NRSA63J-303X	MG RESISTOR	30kΩ 1/16W J	
C310	NCB31CK-104X	C CAPACITOR	0.1uF 16V K		R113	NRS125J-270X	MG RESISTOR	27Ω 1/2W J	
C311	NCB31CK-104X	C CAPACITOR	0.1uF 16V K		R114	NRSA63J-2R2X	MG RESISTOR	2.2Ω 1/16W J	
C312	NCB31CK-104X	C CAPACITOR	0.1uF 16V K		R115	NRSA63J-101X	MG RESISTOR	100Ω 1/16W J	
C313	NCB31CK-104X	C CAPACITOR	0.1uF 16V K		R116	NRSA63J-471X	MG RESISTOR	470Ω 1/16W J	
C314	NCB31CK-104X	C CAPACITOR	0.1uF 16V K		R117	NRSA63J-331X	MG RESISTOR	330Ω 1/16W J	
C315	NCB31CK-104X	C CAPACITOR	0.1uF 16V K		R118	NRSA63J-0R0X	MG RESISTOR	0Ω 1/16W J	
C316	NCB31CK-104X	C CAPACITOR	0.1uF 16V K		R119	NRSA63J-0R0X	MG RESISTOR	0Ω 1/16W J	
C317	NCB31CK-104X	C CAPACITOR	0.1uF 16V K		R120	NRSA63J-0R0X	MG RESISTOR	0Ω 1/16W J	
C318	NCB31CK-104X	C CAPACITOR	0.1uF 16V K		R122	NRSA63J-0R0X	MG RESISTOR	0Ω 1/16W J	
C319	NCB31CK-104X	C CAPACITOR	0.1uF 16V K		R123	NRSA63J-0R0X	MG RESISTOR	0Ω 1/16W J	
C320	NCB31CK-104X	C CAPACITOR	0.1uF 16V K		R125	NRS125J-1R0X	MG RESISTOR	1Ω 1/2W J	
C321	NCB31CK-104X	C CAPACITOR	0.1uF 16V K		R126	NRSA02J-101X	MG RESISTOR	100Ω 1/10W J	
C322	NCB31CK-104X	C CAPACITOR	0.1uF 16V K		R128	NRSA63J-0R0X	MG RESISTOR	0Ω 1/16W J	
C323	NCB31CK-104X	C CAPACITOR	0.1uF 16V K		R204	NRSA63J-273X	MG RESISTOR	27kΩ 1/16W J	
C324	NCB21CK-105X	C CAPACITOR	1uF 16V K		R205	NRSA63J-273X	MG RESISTOR	27kΩ 1/16W J	
C325	NDC31HJ-180X	C CAPACITOR	18pF 50V J		R206	NRSA63J-303X	MG RESISTOR	30kΩ 1/16W J	
C326	NDC31HJ-150X	C CAPACITOR	15pF 50V J		R207	NRSA63J-473X	MG RESISTOR	47kΩ 1/16W J	
C327	NCB31HK-103X	C CAPACITOR	0.01uF 50V K		R208	NRSA63J-223X	MG RESISTOR	22kΩ 1/16W J	
C330	NCB31CK-104X	C CAPACITOR	0.1uF 16V K		R213	NRSA63J-103X	MG RESISTOR	10kΩ 1/16W J	
C331	NCB31CK-333X	C CAPACITOR	0.033uF 16V K		R214	NRSA63J-103X	MG RESISTOR	10kΩ 1/16W J	
C332	NCB31CK-104X	C CAPACITOR	0.1uF 16V K		R215	NRSA63J-103X	MG RESISTOR	10kΩ 1/16W J	
C333	NCB31CK-104X	C CAPACITOR	0.1uF 16V K		R219	NRSA63J-183X	MG RESISTOR	18kΩ 1/16W J	
C334	NCB31CK-104X	C CAPACITOR	0.1uF 16V K		R220	NRSA63J-243X	MG RESISTOR	24kΩ 1/16W J	
C335	NCB31CK-104X	C CAPACITOR	0.1uF 16V K		R221	NRSA63J-682X	MG RESISTOR	6.8kΩ 1/16W J	
C337	NCB31CK-183X	C CAPACITOR	0.018uF 16V K		R251	NRS125J-R47X	MG RESISTOR	0.47Ω 1/2W J	
C338	NCB31HK-562X	C CAPACITOR	5600pF 50V K		R252	NRSA63J-2R2X	MG RESISTOR	2.2Ω 1/16W J	
C339	NCB31CK-104X	C CAPACITOR	0.1uF 16V K		R254	NRSA63J-203X	MG RESISTOR	20kΩ 1/16W J	
C340	NCB21CK-105X	C CAPACITOR	1uF 16V K		R255	NRSA63J-103X	MG RESISTOR	10kΩ 1/16W J	
C341	NCB30JK-105X	C CAPACITOR	1uF 6.3V K		R257	NRSA63J-0R0X	MG RESISTOR	0Ω 1/16W J	
C347	NCB31CK-104X	C CAPACITOR	0.1uF 16V K		R259	NRSA63J-103X	MG RESISTOR	10kΩ 1/16W J	
C348	NCB31CK-104X	C CAPACITOR	0.1uF 16V K		R302	NRSA63J-240X	MG RESISTOR	24Ω 1/16W J	
C349	NCB31CK-104X	C CAPACITOR	0.1uF 16V K		R303	NRSA63J-101X	MG RESISTOR	100Ω 1/16W J	
C350	NCB31CK-104X	C CAPACITOR	0.1uF 16V K		R306	NRSA63J-102X	MG RESISTOR	1kΩ 1/16W J	
C356	NCB21CK-105X	C CAPACITOR	1uF 16V K		R307	NRSA63J-102X	MG RESISTOR	1kΩ 1/16W J	
C359	NCB31CK-104X	C CAPACITOR	0.1uF 16V K		R308	NRSA63J-223X	MG RESISTOR	22kΩ 1/16W J	
C371	NCB21CK-105X	C CAPACITOR	1uF 16V K		R309	NRSA63J-104X	MG RESISTOR	100kΩ 1/16W J	
C374	NCB31CK-104X	C CAPACITOR	0.1uF 16V K		R310	NRS125J-R47X	MG RESISTOR	0.47Ω 1/2W J	
C391	NCB31CK-104X	C CAPACITOR	0.1uF 16V K		R312	NRSA63J-0R0X	MG RESISTOR	0Ω 1/16W J	
C392	NCB31CK-104X	C CAPACITOR	0.1uF 16V K		R313	NRSA63J-0R0X	MG RESISTOR	0Ω 1/16W J	
C455	NCB31CK-103X	C CAPACITOR	0.01uF 16V K		R314	NRSA63J-0R0X	MG RESISTOR	0Ω 1/16W J	
C505	NDC31HJ-330X	C CAPACITOR	33pF 50V J		R315	NRSA63J-0R0X	MG RESISTOR	0Ω 1/16W J	
C506	NDC31HJ-330X	C CAPACITOR	33pF 50V J		R316	NRSA63J-0R0X	MG RESISTOR	0Ω 1/16W J	
C507	NDC31HJ-330X	C CAPACITOR	33pF 50V J		R317	NRSA63J-0R0X	MG RESISTOR	0Ω 1/16W J	
C508	NDC31HJ-330X	C CAPACITOR	33pF 50V J		R318	NRSA63J-333X	MG RESISTOR	33kΩ 1/16W J	
C509	NDC31HJ-330X	C CAPACITOR	33pF 50V J		R319	NRSA63J-0R0X	MG RESISTOR	0Ω 1/16W J	
C510	NDC31HJ-330X	C CAPACITOR	33pF 50V J		R320	NRSA63J-103X	MG RESISTOR	10kΩ 1/16W J	
C547	NCB31CK-104X	C CAPACITOR	0.1uF 16V K		R322	NRSA63J-473X	MG RESISTOR	47kΩ 1/16W J	
C551	NCB31CK-104X	C CAPACITOR	0.1uF 16V K		R325	NRSA63J-331X	MG RESISTOR	330Ω 1/16W J	
C552	NCB31CK-104X	C CAPACITOR	0.1uF 16V K		R326	NRSA63J-331X	MG RESISTOR	330Ω 1/16W J	
C553	NBE20JM-226X	TA E CAPACITOR	22uF 6.3V M		R333	NRSA63J-163X	MG RESISTOR	16kΩ 1/16W J	
C554	NCB31CK-104X	C CAPACITOR	0.1uF 16V K		R334	NRSA63J-151X	MG RESISTOR	150Ω 1/16W J	
C555	NCB31CK-104X	C CAPACITOR	0.1uF 16V K		R335	NRSA63J-151X	MG RESISTOR	150Ω 1/16W J	
C556	NCB31CK-104X	C CAPACITOR	0.1uF 16V K		R336	NRSA63J-151X	MG RESISTOR	150Ω 1/16W J	
C557	NCF31AZ-105X	C CAPACITOR	1uF 10V Z		R337	NRSA63J-151X	MG RESISTOR	150Ω 1/16W J	

△ Symbol No. Part No. Part Name Description Local

## DVD loading switch board

Block No. [0][5]

△ Symbol No. Part No. Part Name Description Local

R338	NRSA63J-0R0X	MG RESISTOR	0Ω 1/16W J	
R339	NRSA63J-0R0X	MG RESISTOR	0Ω 1/16W J	
R340	NRSA63D-303X	MG RESISTOR	30kΩ 1/16W D	
R341	NRSA63D-362X	MG RESISTOR	3.6kΩ 1/16W D	
R342	NRSA63D-222X	MG RESISTOR	2.2kΩ 1/16W D	
R343	NRSA63J-0R0X	MG RESISTOR	0Ω 1/16W J	
R344	NRSA63J-6R8X	MG RESISTOR	6.8Ω 1/16W J	
R345	NRSA63J-221X	MG RESISTOR	220Ω 1/16W J	
R351	NRSA63J-681X	MG RESISTOR	680Ω 1/16W J	
R352	NRSA63J-105X	MG RESISTOR	1MΩ 1/16W J	
R357	NRSA63J-101X	MG RESISTOR	100Ω 1/16W J	
R358	NRSA63J-101X	MG RESISTOR	100Ω 1/16W J	
R361	NRSA63J-101X	MG RESISTOR	100Ω 1/16W J	
R362	NRSA63J-331X	MG RESISTOR	330Ω 1/16W J	
R363	NRSA63J-151X	MG RESISTOR	150Ω 1/16W J	
R372	NRSA63J-102X	MG RESISTOR	1kΩ 1/16W J	
R373	NRSA63J-102X	MG RESISTOR	1kΩ 1/16W J	
R378	NRSA63J-102X	MG RESISTOR	1kΩ 1/16W J	
R379	NRSA63J-102X	MG RESISTOR	1kΩ 1/16W J	
R384	NRSA63J-102X	MG RESISTOR	1kΩ 1/16W J	
R385	NRSA63J-102X	MG RESISTOR	1kΩ 1/16W J	
R390	NRSA63J-472X	MG RESISTOR	4.7kΩ 1/16W J	
R391	NAD0025-103X	N THERMISTOR	10kΩ	
R392	NRSA63J-103X	MG RESISTOR	10kΩ 1/16W J	
R393	NRSA63J-0R0X	MG RESISTOR	0Ω 1/16W J	
R394	NRSA63J-0R0X	MG RESISTOR	0Ω 1/16W J	
R395	NRSA02J-0R0X	MG RESISTOR	0Ω 1/10W J	
R457	NRSA63J-0R0X	MG RESISTOR	0Ω 1/16W J	
R458	NRSA63J-102X	MG RESISTOR	1kΩ 1/16W J	
R501	NRSA63J-471X	MG RESISTOR	470Ω 1/16W J	
R502	NRSA63J-471X	MG RESISTOR	470Ω 1/16W J	
R503	NRSA63J-101X	MG RESISTOR	100Ω 1/16W J	
R551	NRSA63J-102X	MG RESISTOR	1kΩ 1/16W J	
R553	NQR0129-002X	FERRITE BEADS		
R554	NQR0129-002X	FERRITE BEADS		
R555	NQR0129-002X	FERRITE BEADS		
R556	NQR0129-002X	FERRITE BEADS		
R557	NQR0129-002X	FERRITE BEADS		
R558	NRSA63J-102X	MG RESISTOR	1kΩ 1/16W J	
R701	NRSA63J-100X	MG RESISTOR	10Ω 1/16W J	
R702	NRSA63J-0R0X	MG RESISTOR	0Ω 1/16W J	
R710	NQR0129-002X	FERRITE BEADS		
R711	NRSA63J-101X	MG RESISTOR	100Ω 1/16W J	
R712	NRSA63J-101X	MG RESISTOR	100Ω 1/16W J	
R713	NRSA63J-101X	MG RESISTOR	100Ω 1/16W J	
R716	NRSA63J-0R0X	MG RESISTOR	0Ω 1/16W J	
R718	NRSA63J-473X	MG RESISTOR	47kΩ 1/16W J	
R719	NRSA63J-0R0X	MG RESISTOR	0Ω 1/16W J	
R909	NRSA02J-0R0X	MG RESISTOR	0Ω 1/10W J	
R911	NRSA02J-0R0X	MG RESISTOR	0Ω 1/10W J	
L501	NQL044K-100X	COIL	0.26Ω 10uH K	
CN101	QGF0523F1-24W	CONNECTOR	FFC/FPC (1-24)	
CN201	QGF1016F2-08W	CONNECTOR	FFC/FPC (1-8)	
CN501	QGF1016F2-19W	CONNECTOR	FFC/FPC (1-19)	
CN503	QGF1016F2-17W	CONNECTOR	FFC/FPC (1-17)	
K101	NRSA02J-0R0X	MG RESISTOR	0Ω 1/10W J	
K102	NRSA02J-0R0X	MG RESISTOR	0Ω 1/10W J	
K301	NQR0354-001X	FERRITE BEADS		
K302	NRSA63J-101X	MG RESISTOR	100Ω 1/16W J	
K303	NRSA63J-101X	MG RESISTOR	100Ω 1/16W J	
K304	NQR0502-001X	FERRITE BEADS		
K501	NQR0129-002X	FERRITE BEADS		
K551	NQR0129-002X	FERRITE BEADS		
K552	NQR0129-002X	FERRITE BEADS		
K553	NQR0129-002X	FERRITE BEADS		
K554	NQR0129-002X	FERRITE BEADS		
K555	NQR0022-005X	FERRITE BEADS		
K556	NQR0129-002X	FERRITE BEADS		
X351	NAX0550-001X	CRYSTAL	27.000MHz	

CN1	QGF1016F3-05	CONNECTOR	FFC/FPC (1-5)	
S1	QSW1007-001	DETECT SWITCH		

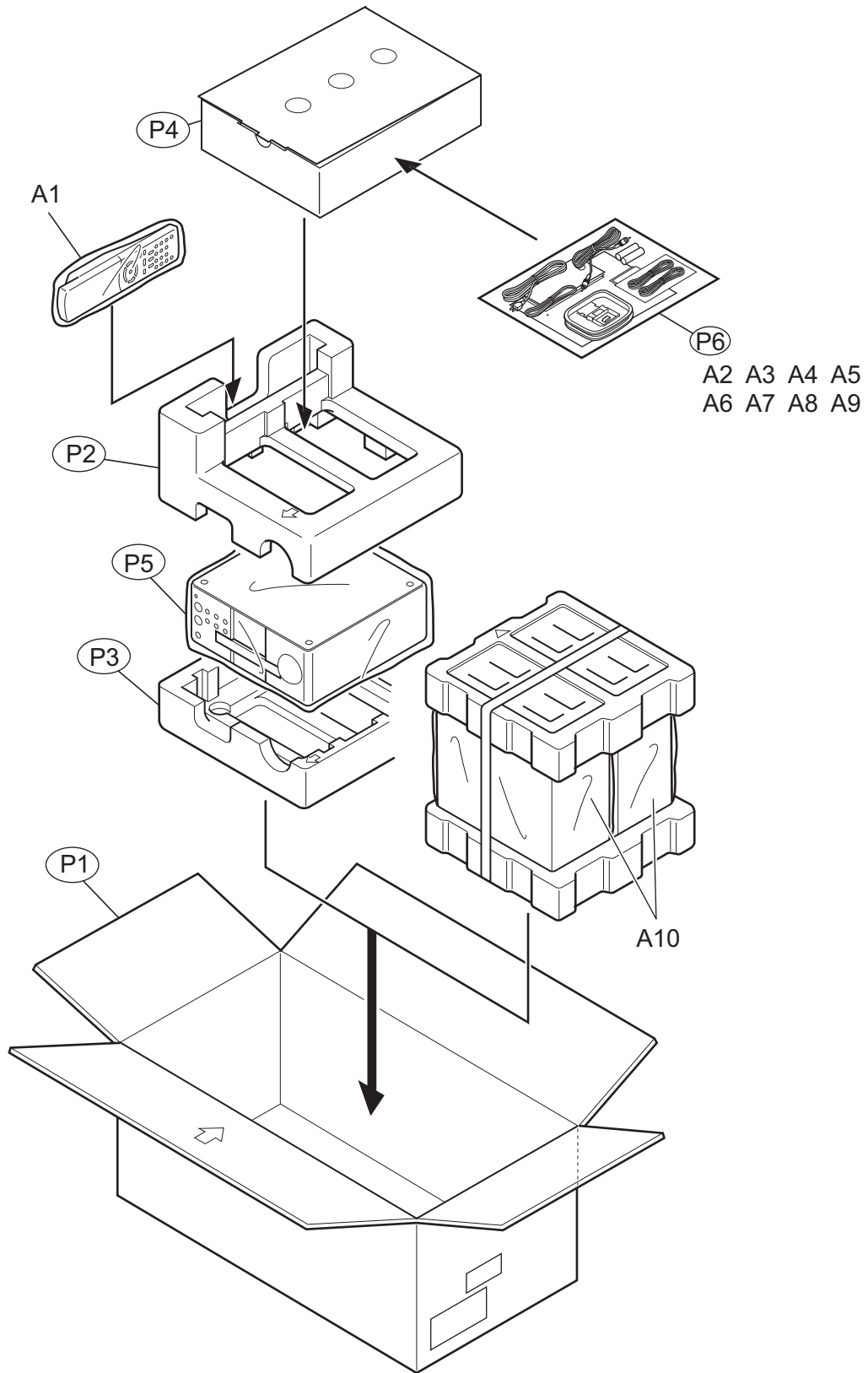


**<MEMO>**

# Packing materials and accessories parts list

Block No. M 3 M M

No additional / supplemental order of WARRANTY CARDS are available



# Packing and Accessories

Block No. [M][3][M][M]

△	Symbol No.	Part No.	Part Name	Description	Local
	A 1	RM-SEEXA1R-S	REMOCON UNIT		
	A 2	-----	BATTERY	(x2)	
	A 3	LVT1284-005B	INST BOOK	GER FRE DUT	
	A 4	QAL0457-001	ANT.WIRE		
	A 5	QAL0476-001	AM LOOP ANT		
	A 6	-----	WARRANTY CARD	BT-54026-1	
△	A 7	QMPL150-183-JC	POWER CORD(EU)	1.83m BLACK	
	A 8	QAM0530-001	SPEAKER CORD		
	A 9	LV40554-001A	POLISHING CLOTH		
	A 10	QAS0164-002	SPEAKER ASSY	(x2)	
	P 1	LV34466-019A	CARTON		
	P 2	LV10846-001A	CUSHION TOP		
	P 3	LV10847-001A	CUSHION BOTTOM		
	P 4	LV21595-001A	CARTON SPACER		
	P 5	QPC03505015P	POLY BAG	35cm x 50cm	
	P 6	QPA02503505P	POLY BAG	25cm x 35cm	